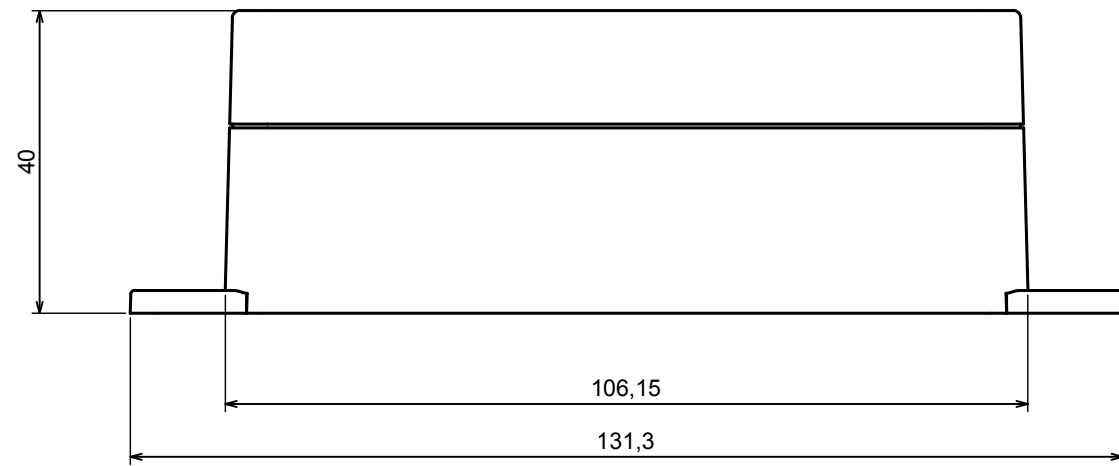
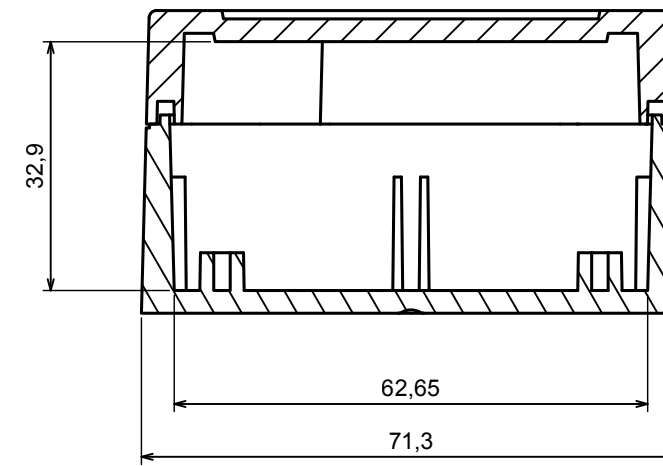


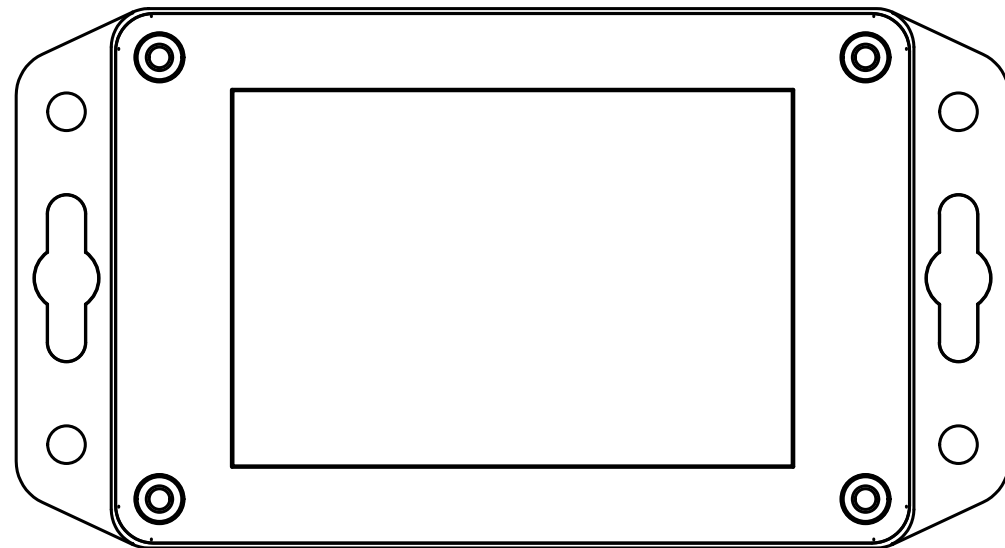
A |




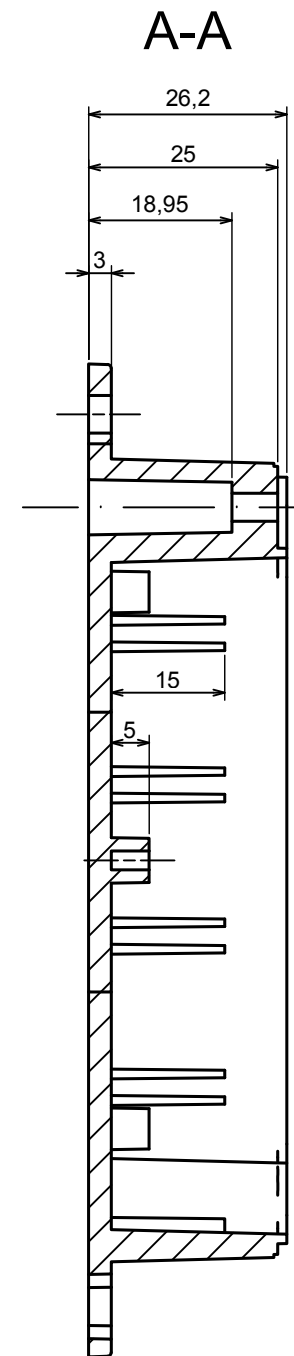
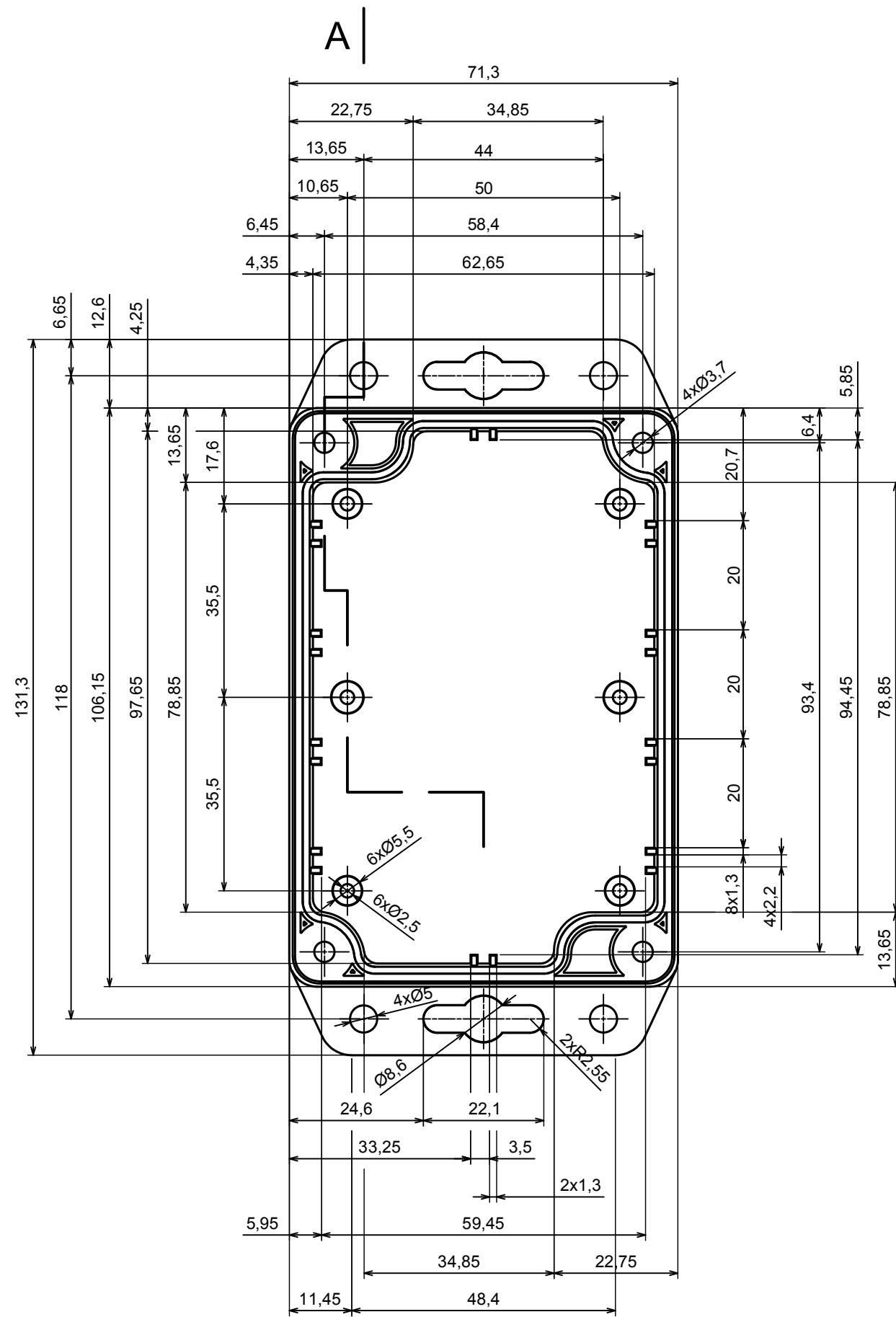
A-A



A |



|  |                            |   |
|--|----------------------------|---|
| All rights reserved, Copyright Kradox 2018 |                            |   |
| Product model                              | Enclosure Z128U - Assembly |   |
| Format: A3                                 | Material: PC, ABS          |  |
| Scale 1:1                                  | Tolerance: +/- 0.6         |   |



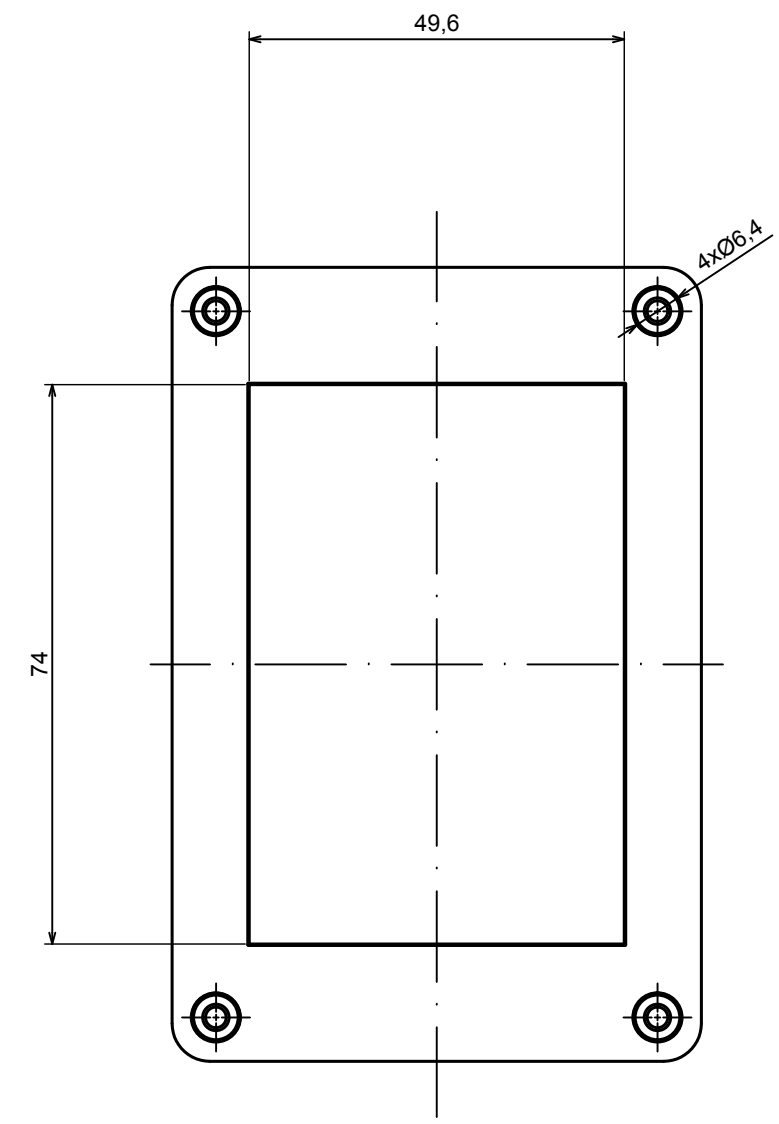
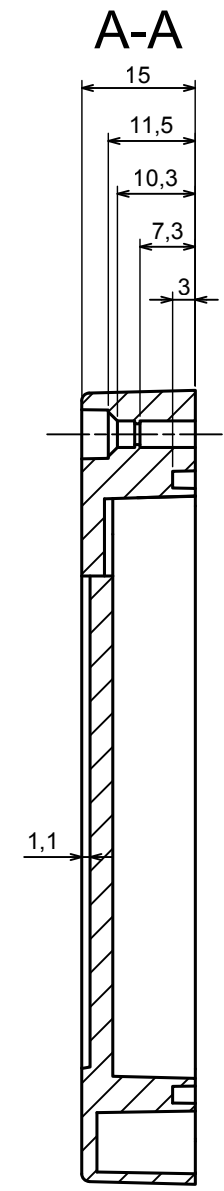
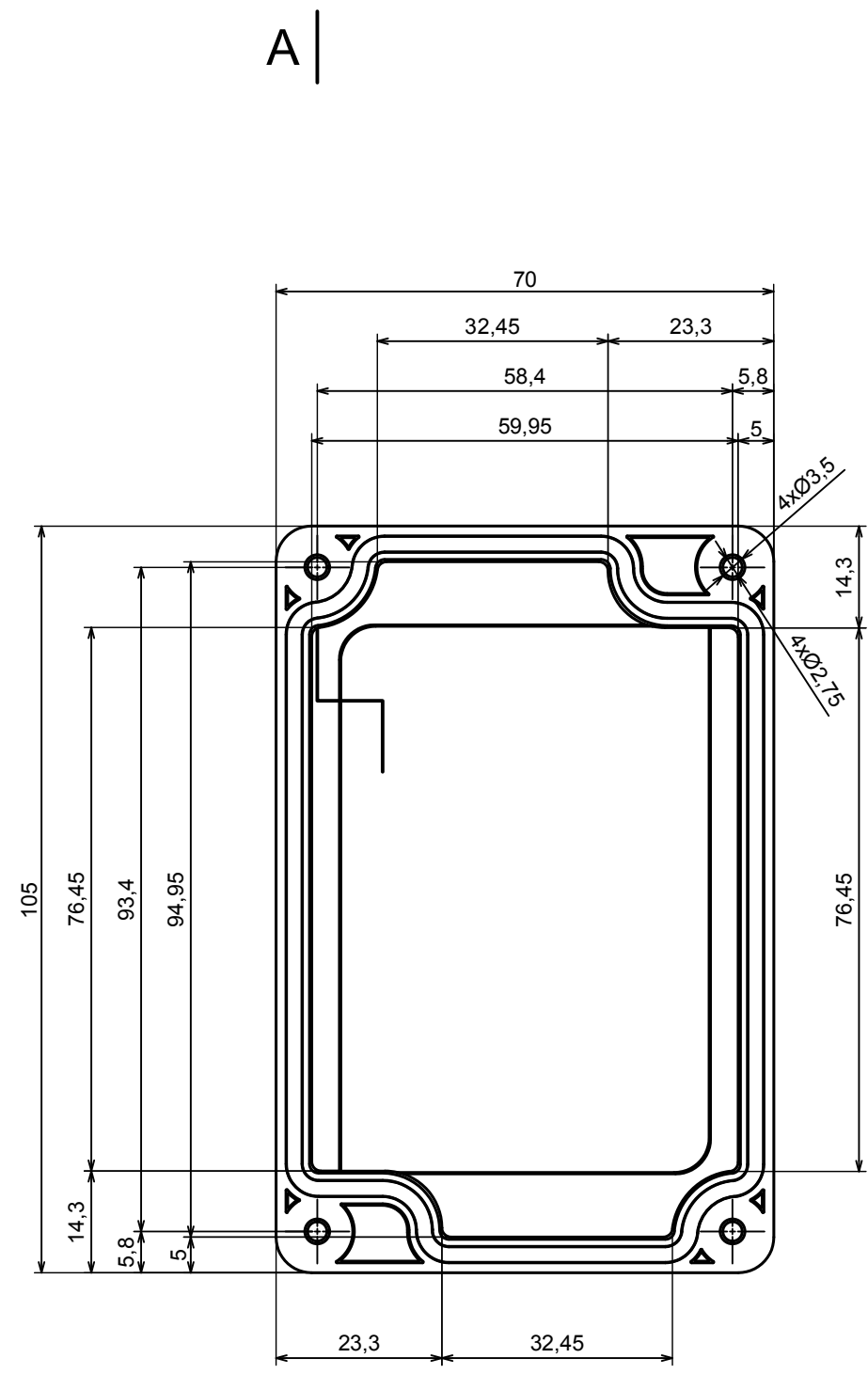
All rights reserved, Copyright Kradox 2018

Product model: Enclosure Z128U - Base

Format: A3 | Material: PC, ABS

Scale 1:1 | Tolerance: +/- 0.6





A |

|  |                         |
|--|-------------------------|
| All rights reserved, Copyright Kradox 2018 |                         |
| Product model                              | Enclosure Z128U - Cover |
| Format: A3                                 | Material: PC, ABS       |
| Scale 1:1                                  | Tolerance: +/- 0.6      |

