

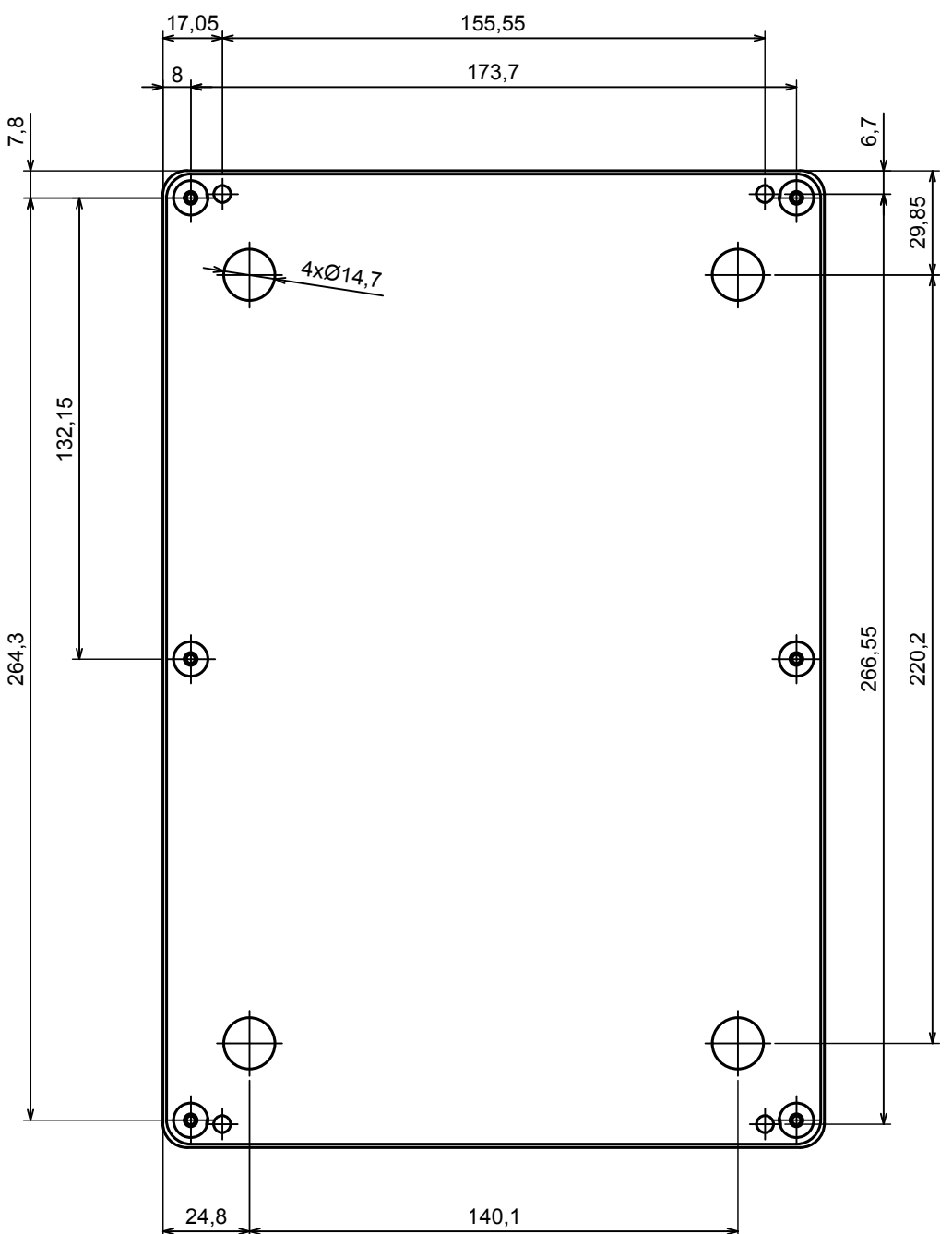
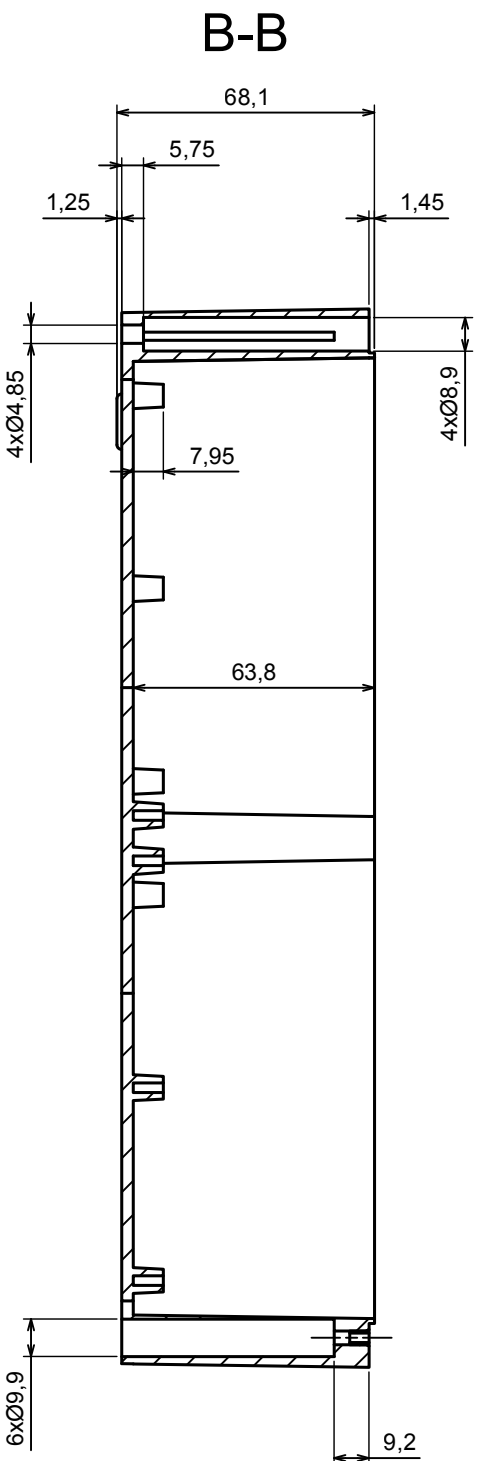
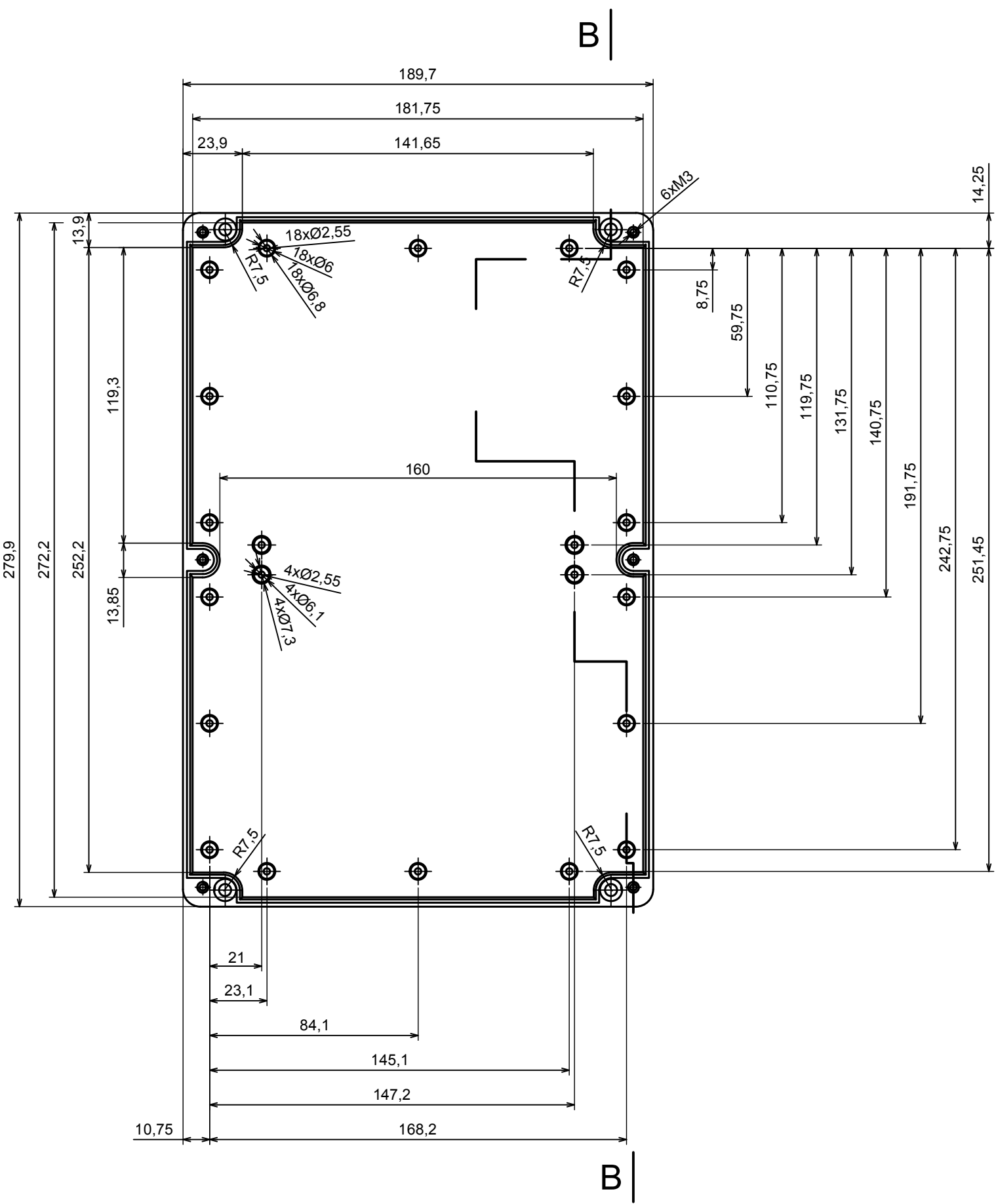
All rights reserved, Copyright Kradex 2016

Product model: Enclosure Z95S - assembly

Format: A3      Material: PS, ABS

Scale 1:2      Tolerance: +/- 0.5

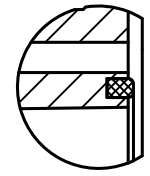
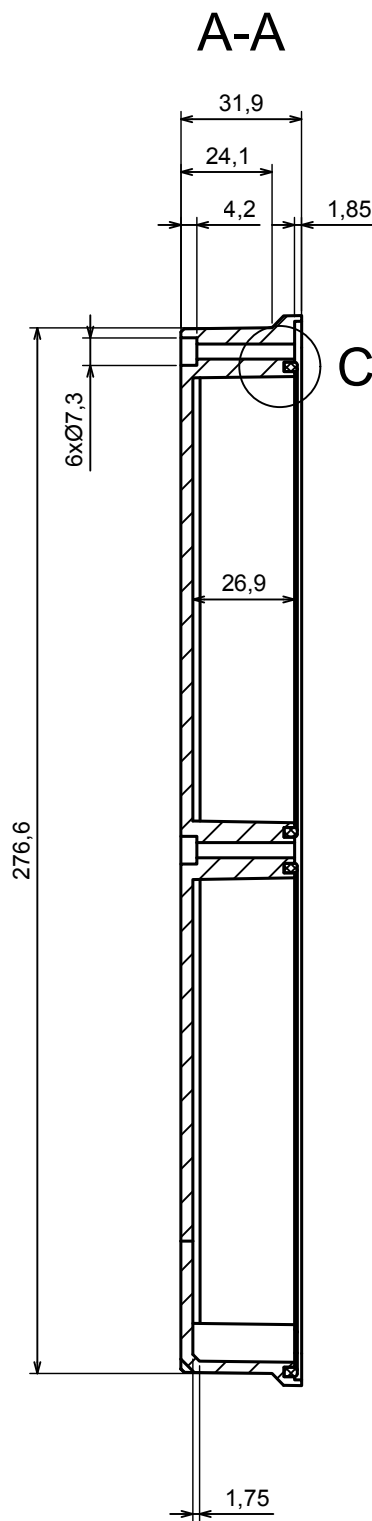
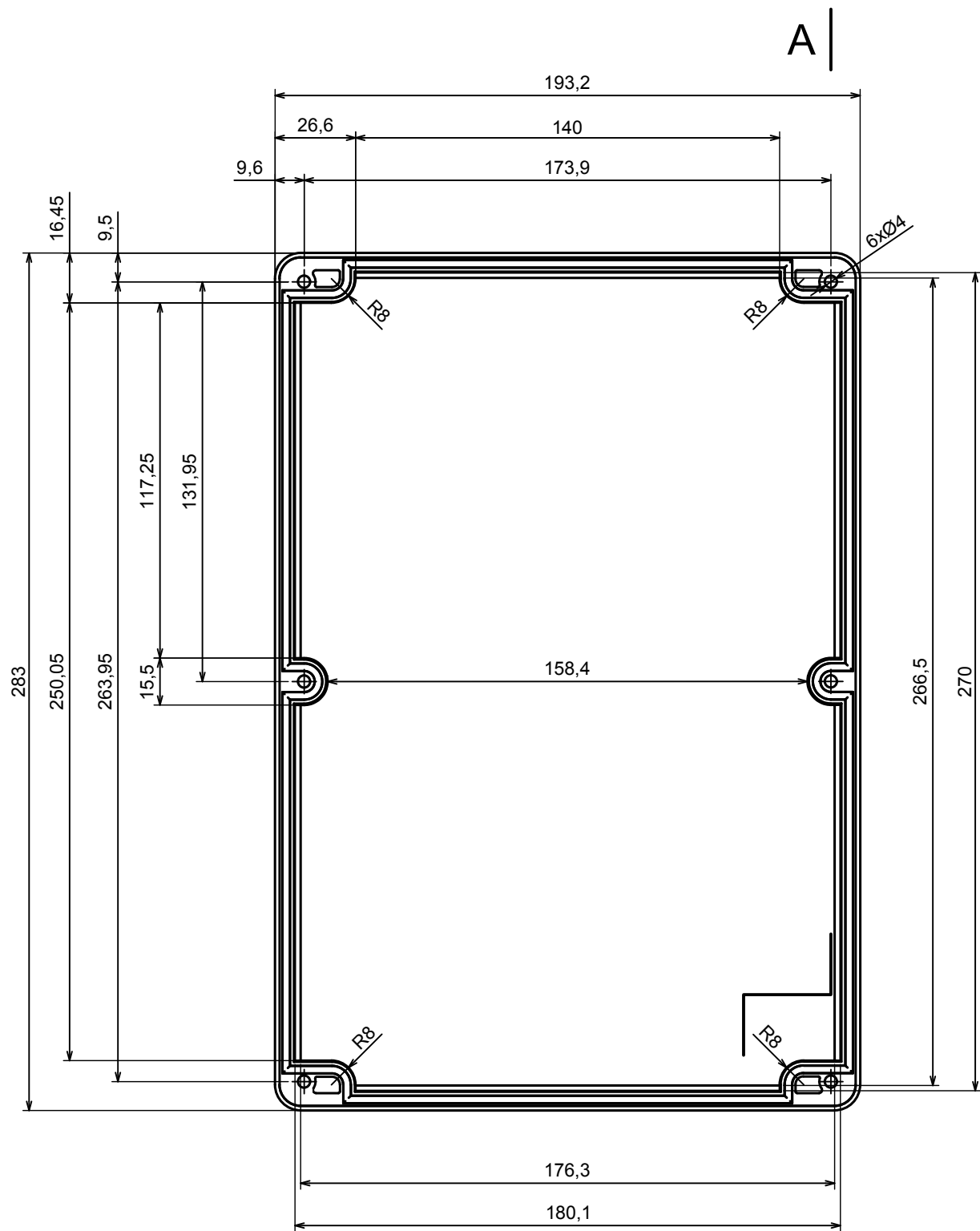




All rights reserved, Copyright Kradox 2016	
Product model	Enclosure Z95S - base
Format: A3	Material: PS, ABS
Scale 1:2	Tolerance: +/- 0.5



C (1:1)



A |

All rights reserved, Copyright Kradox 2016

Product model Enclosure Z95S - cover

Format: A3 Material: PS, ABS

Scale 1:2 Tolerance: +/- 0.5

