

All rights reserved, Copyright Kradex 2019

Product model Enclosure Z95 - Assembly

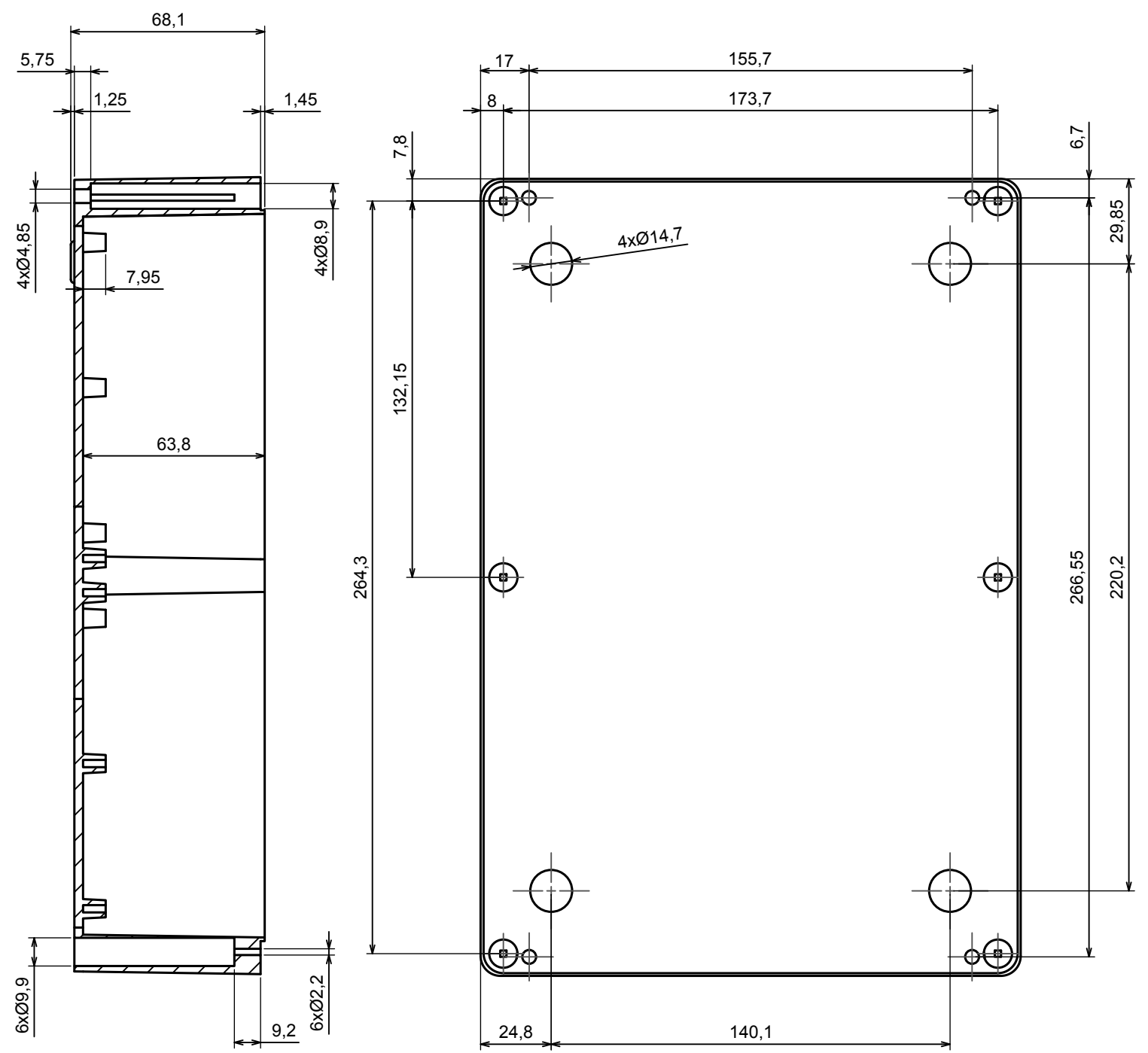
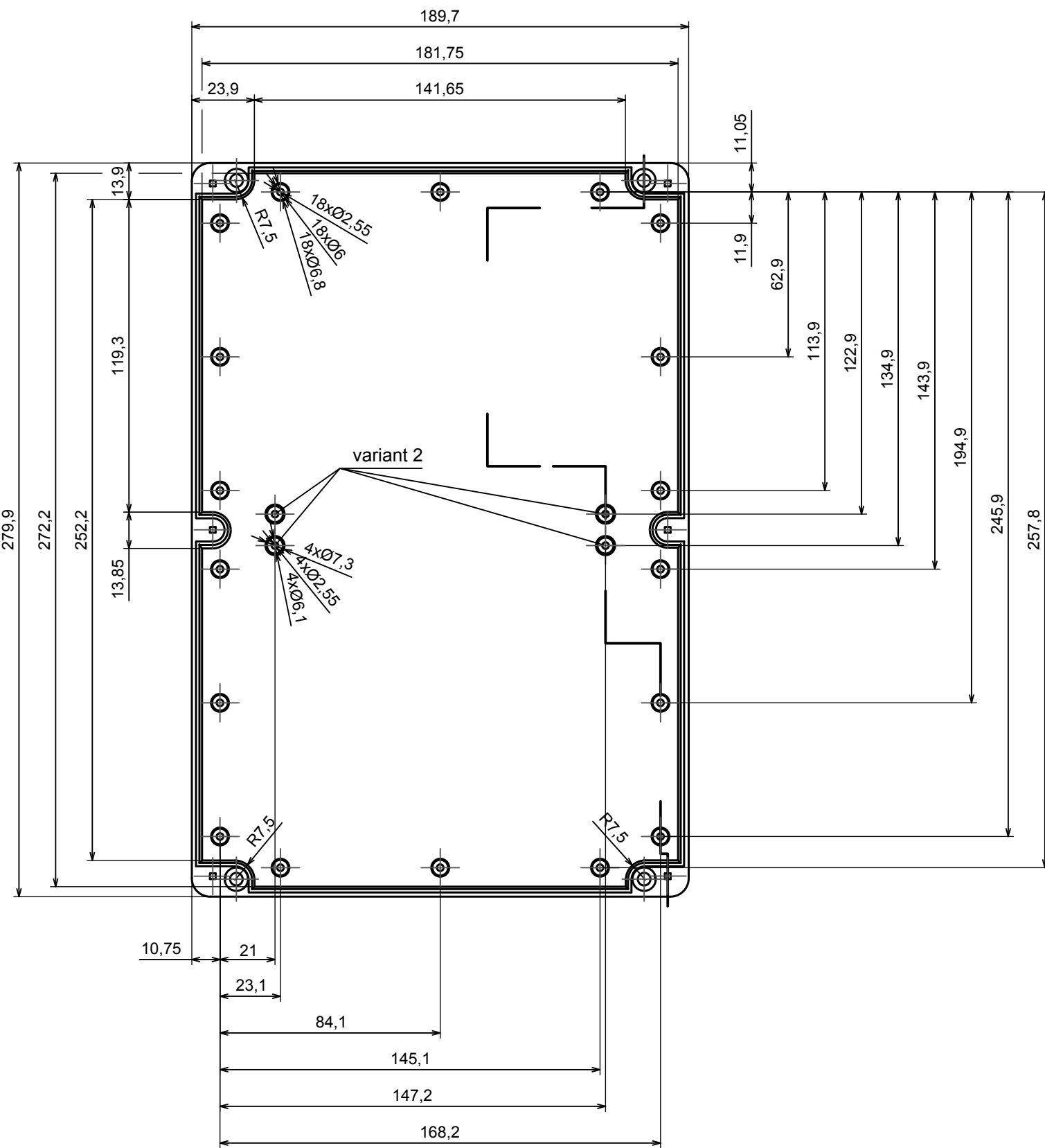
Format: A3 Material: PS, ABS

Scale 1:2 Tolerance: +/- 0.5




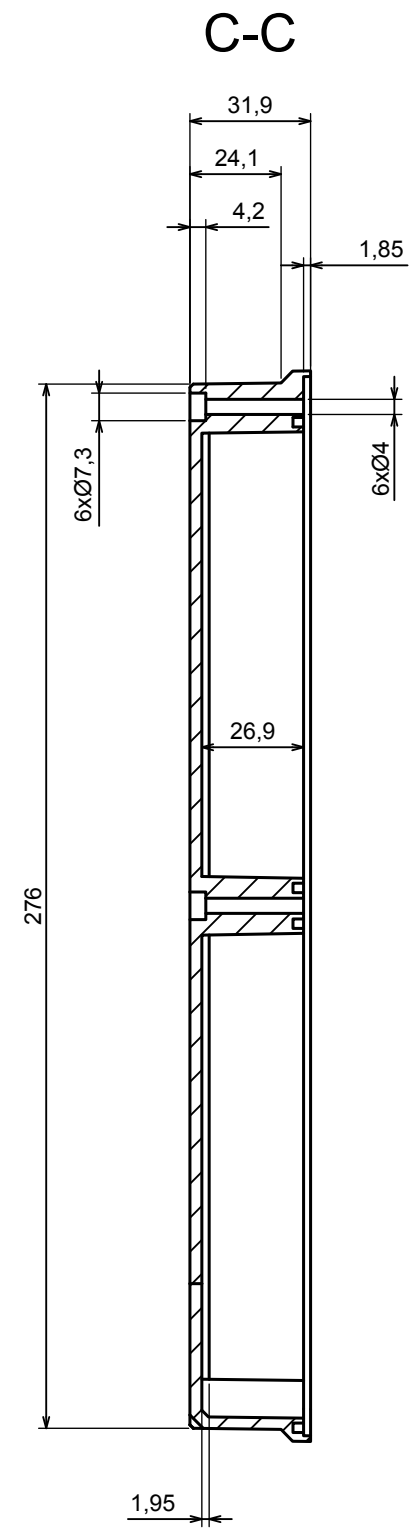
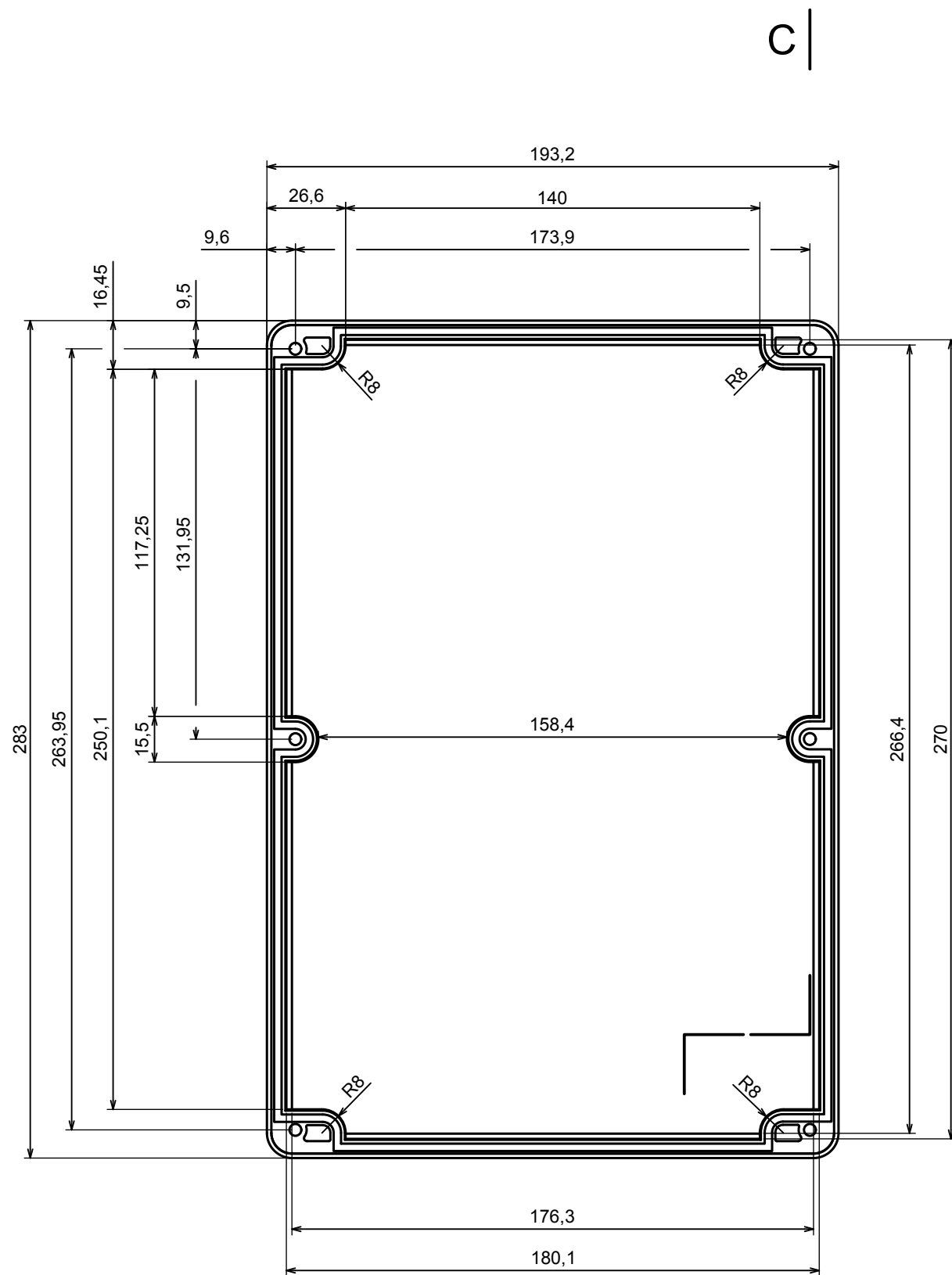
B

B-B



B

All rights reserved, Copyright Kradox 2019		
Product model	Enclosure Z95 - Base	
Format: A3	Material: PS, ABS	
Scale 1:2	Tolerance: +/- 0.5	



C |

All rights reserved, Copyright Kradox 2019

Product model Enclosure Z95 - Cover

Format: A3 Material: PS, ABS

Scale 1:2 Tolerance: +/- 0.5

