
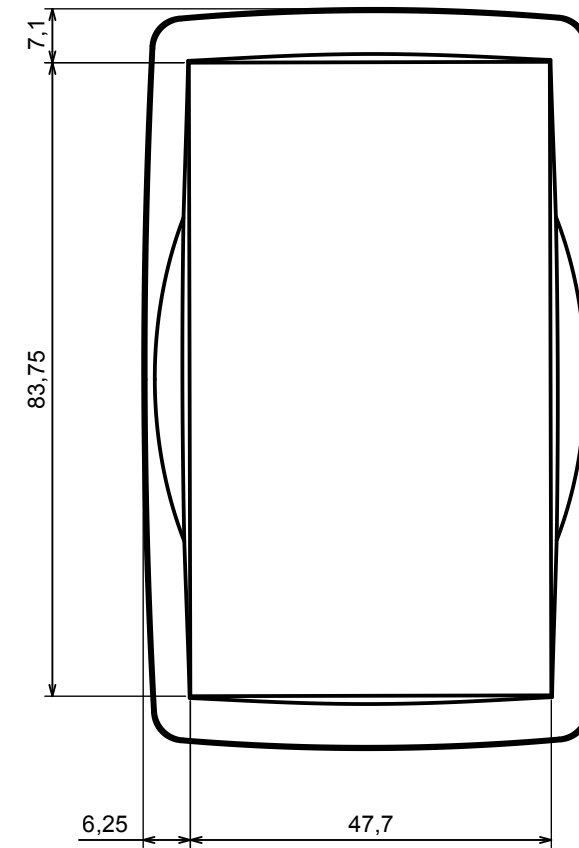
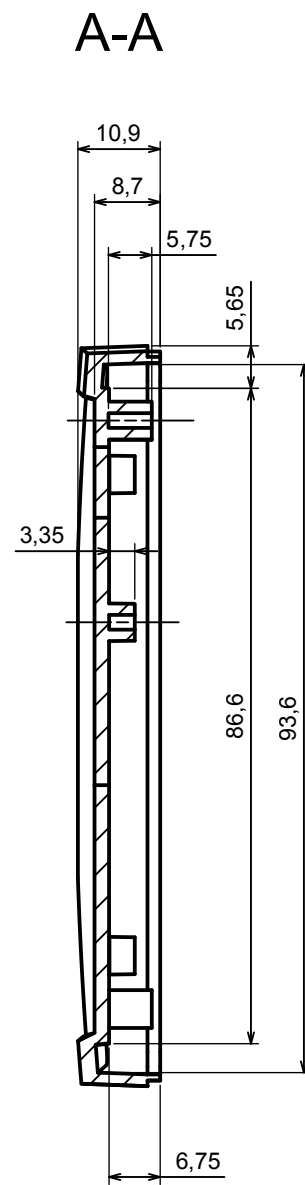
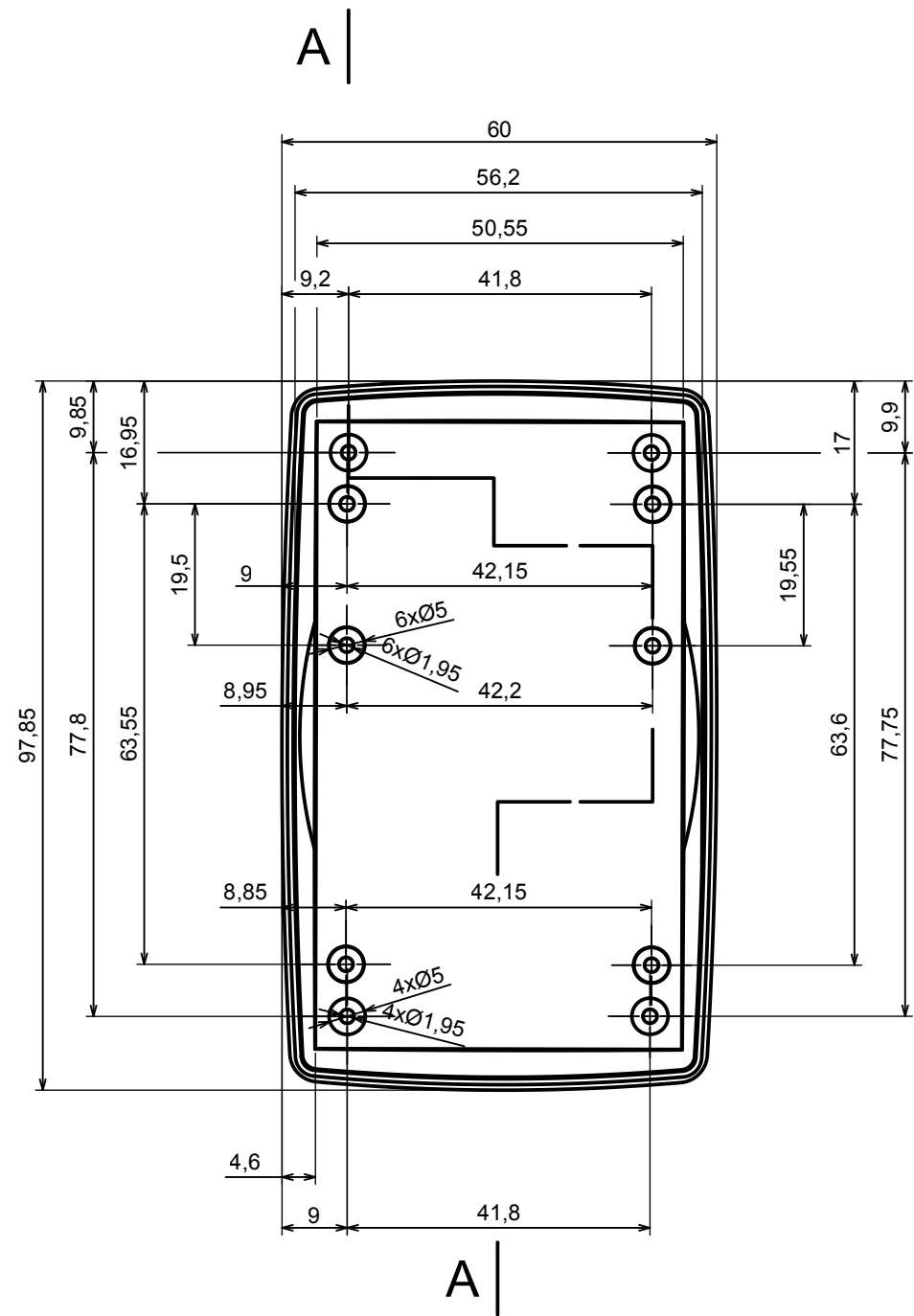


All rights reserved, Copyright Kradox 2016		
Product model	Enclosure Z118 - assembly	
Format: A3	Material: PS, ABS	
Scale 1:1	Tolerance: +/- 0.5	



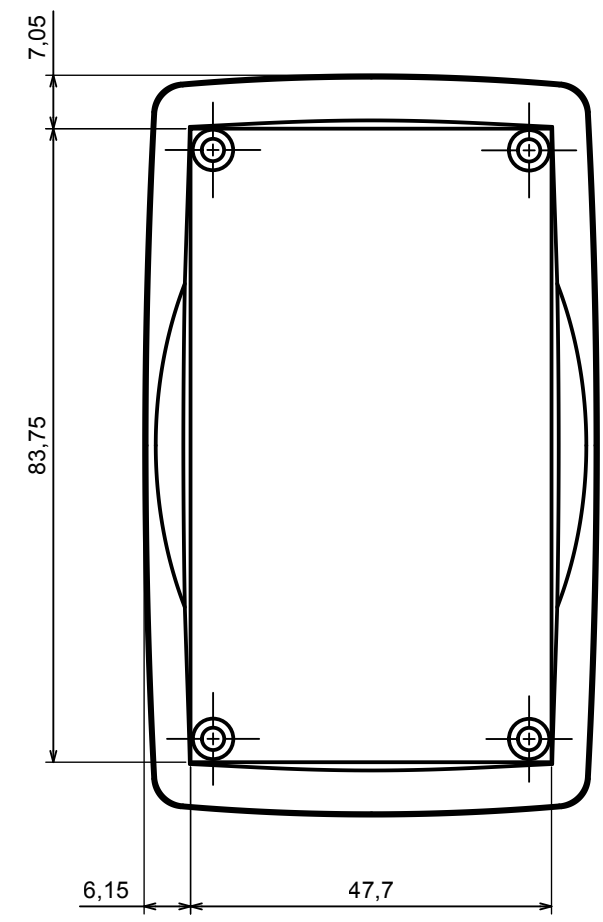
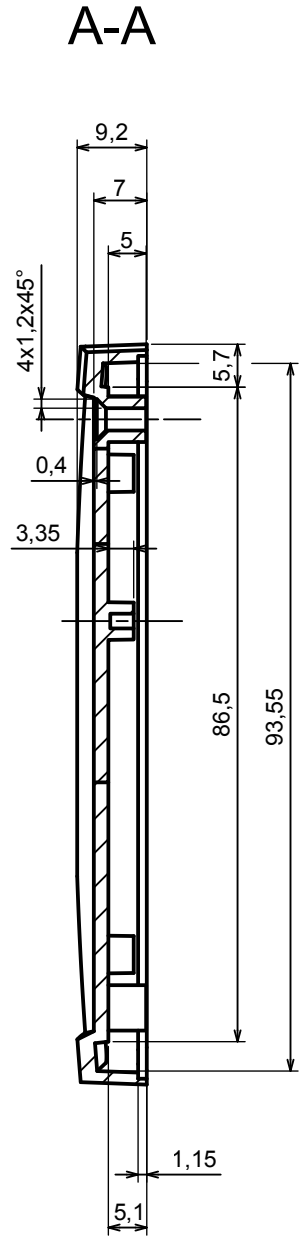
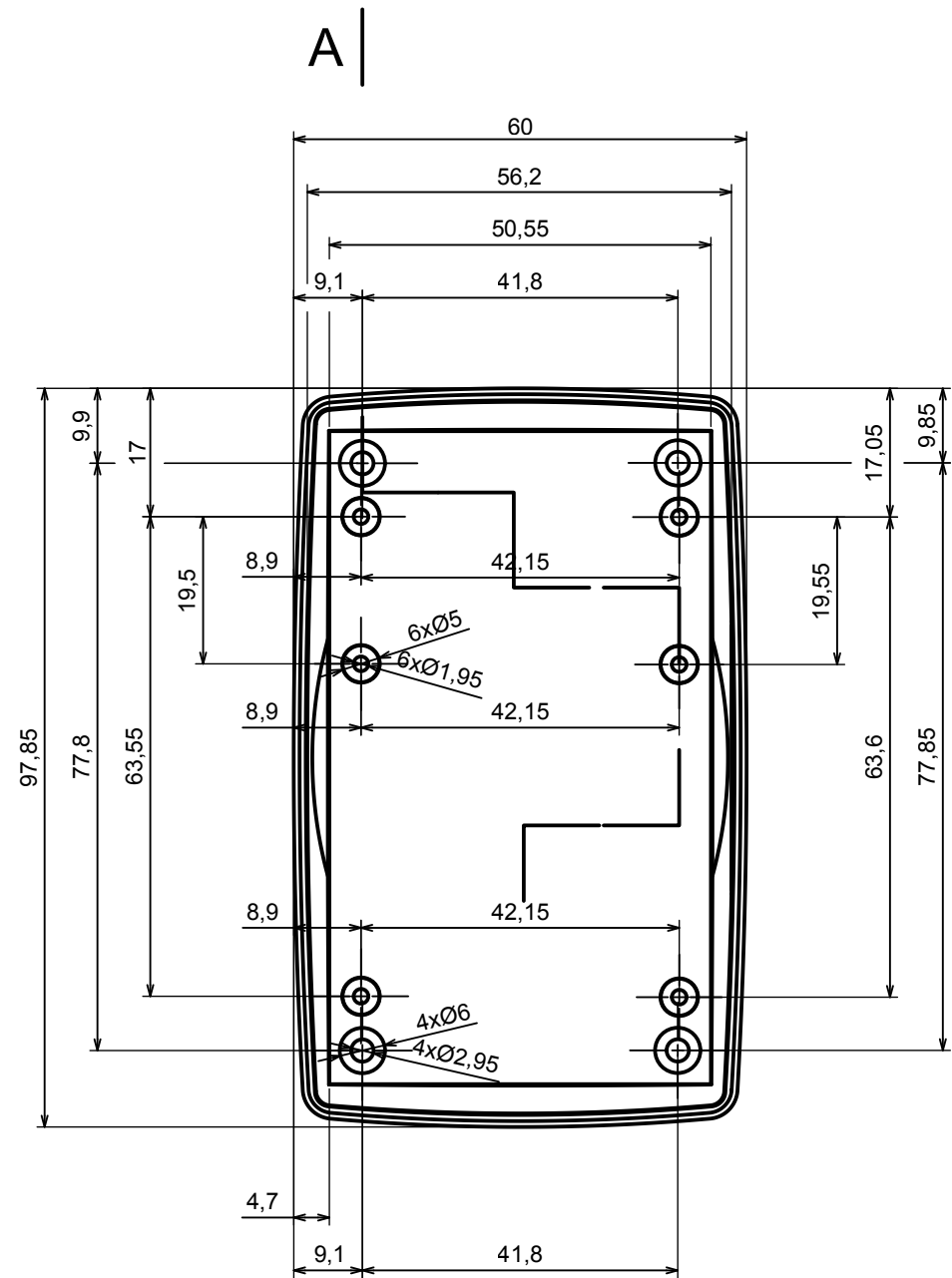
All rights reserved, Copyright Kradox 2016

Product model: Enclosure Z118 - base


Format: A3 Material: PS, ABS

Scale 1:1 Tolerance: +/- 0.5





A |

All rights reserved, Copyright Kradox 2016		
Product model	Enclosure Z118 - cover	
Format: A3	Material: PS, ABS	
Scale 1:1	Tolerance: +/- 0.5	