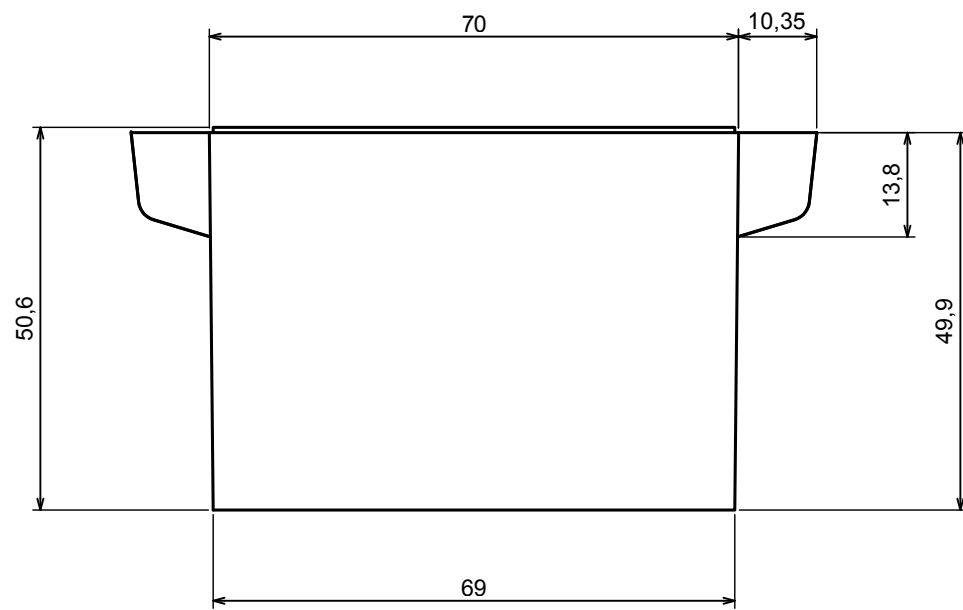
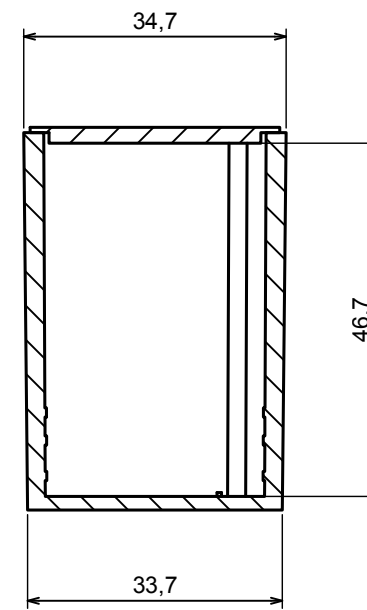


A |

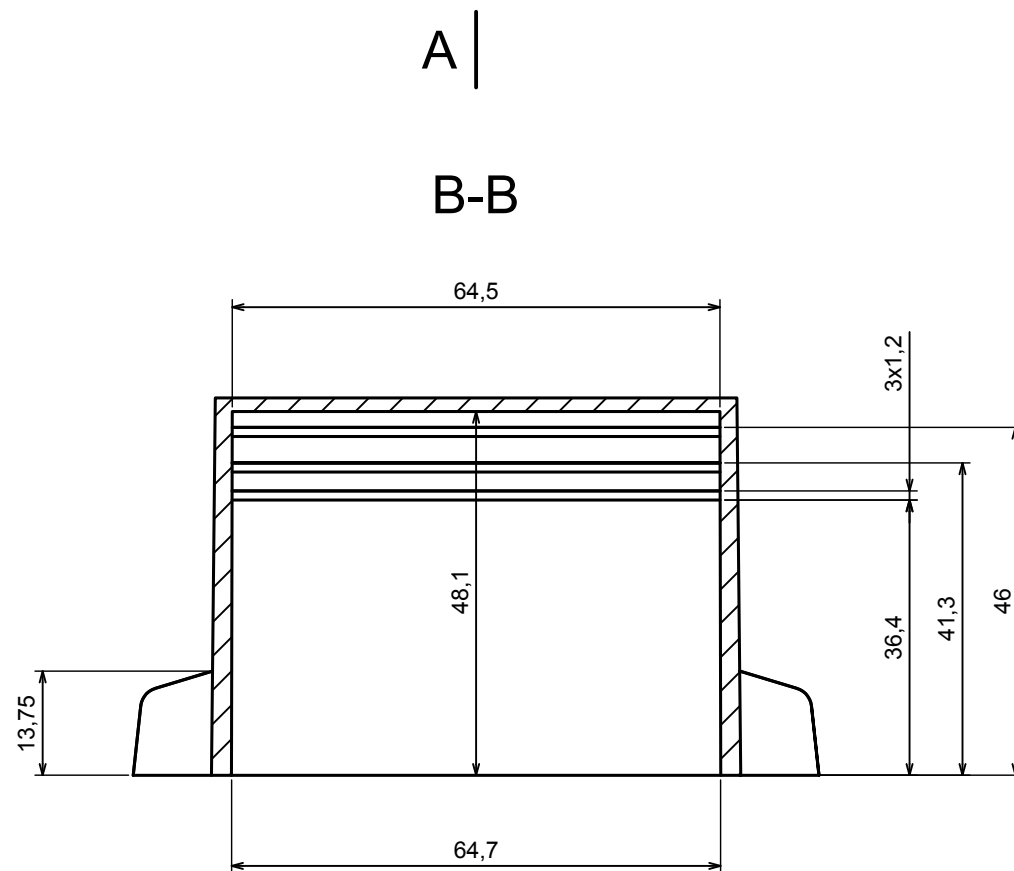
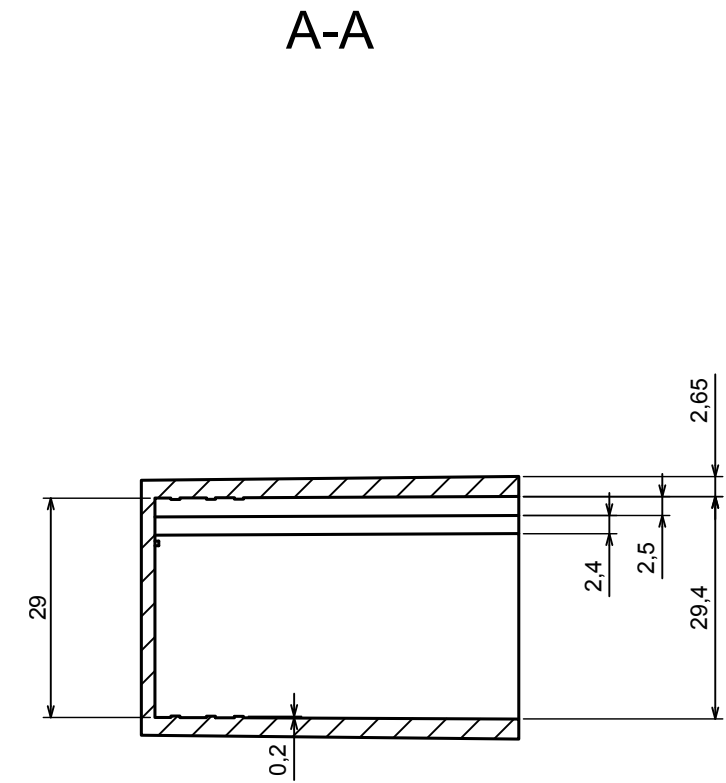
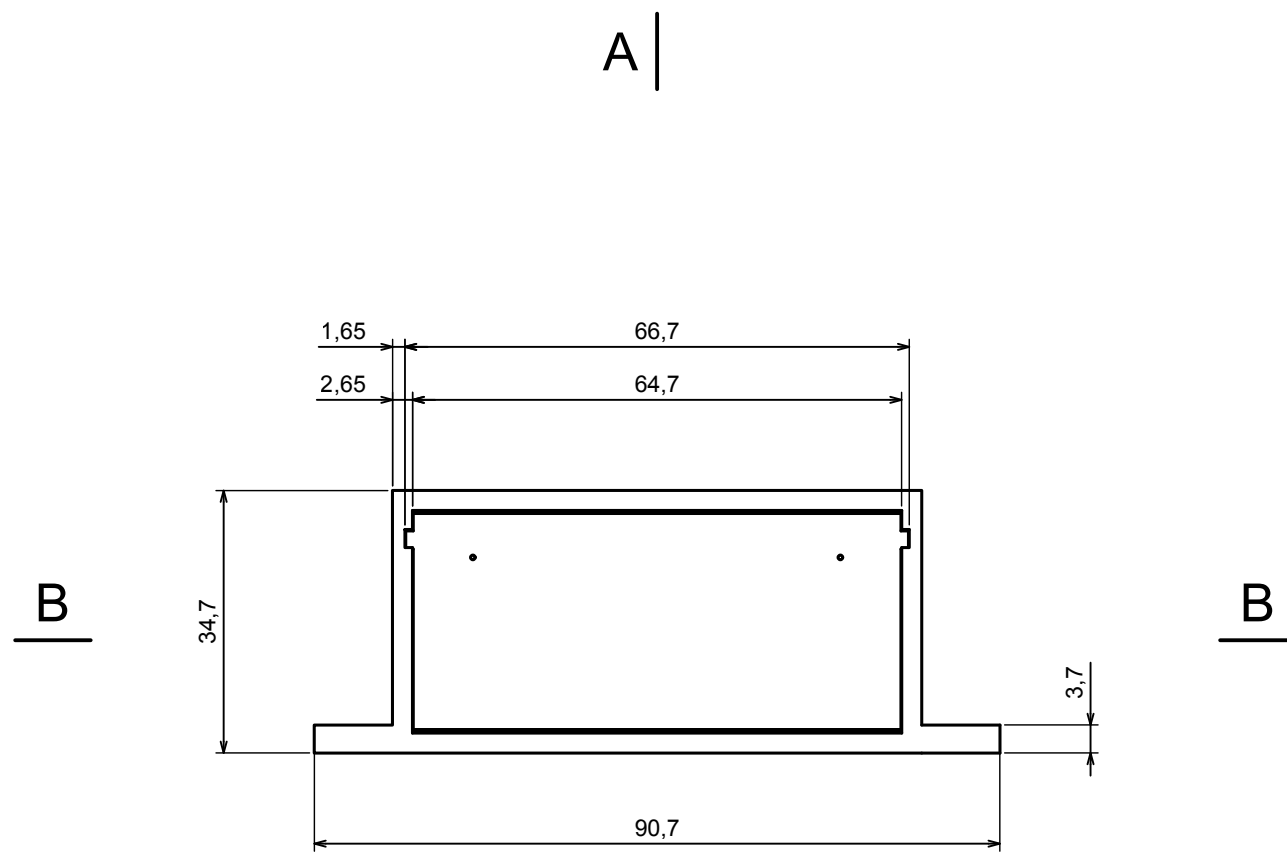


A |

A-A



All rights reserved, Copyright Kradox 2017		
Product model	Enclosure Z8U - Assembly	
Format: A3	Material: PS, ABS	
Scale 1:1	Tolerance: +/- 0.5	



All rights reserved, Copyright Kradex 2017

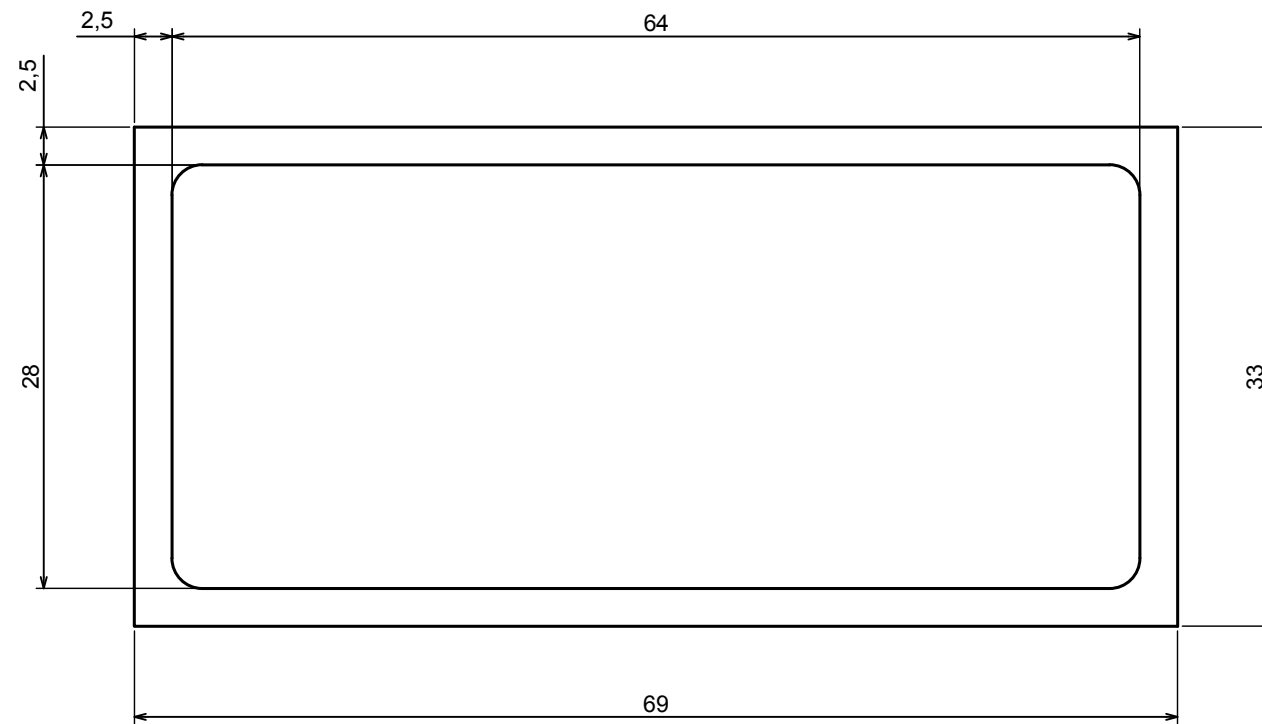
Product model Enclosure Z8U - Base

Format: A3 Material: PS, ABS

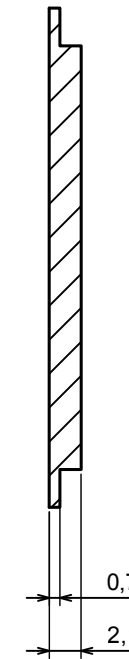
Scale 1:1 Tolerance: +/- 0.5



A |



A-A



A |

All rights reserved, Copyright Kradex 2017		
Product model	Enclosure Z8U - Cover	
Format: A3	Material: PS, ABS	
Scale 2:1	Tolerance: +/- 0.5	