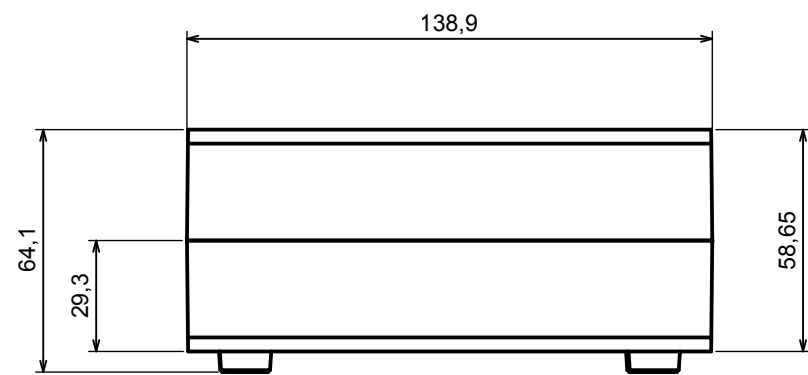
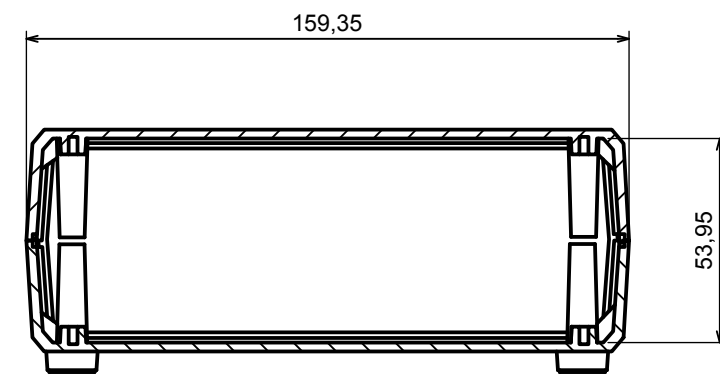


A |



A |

A-A



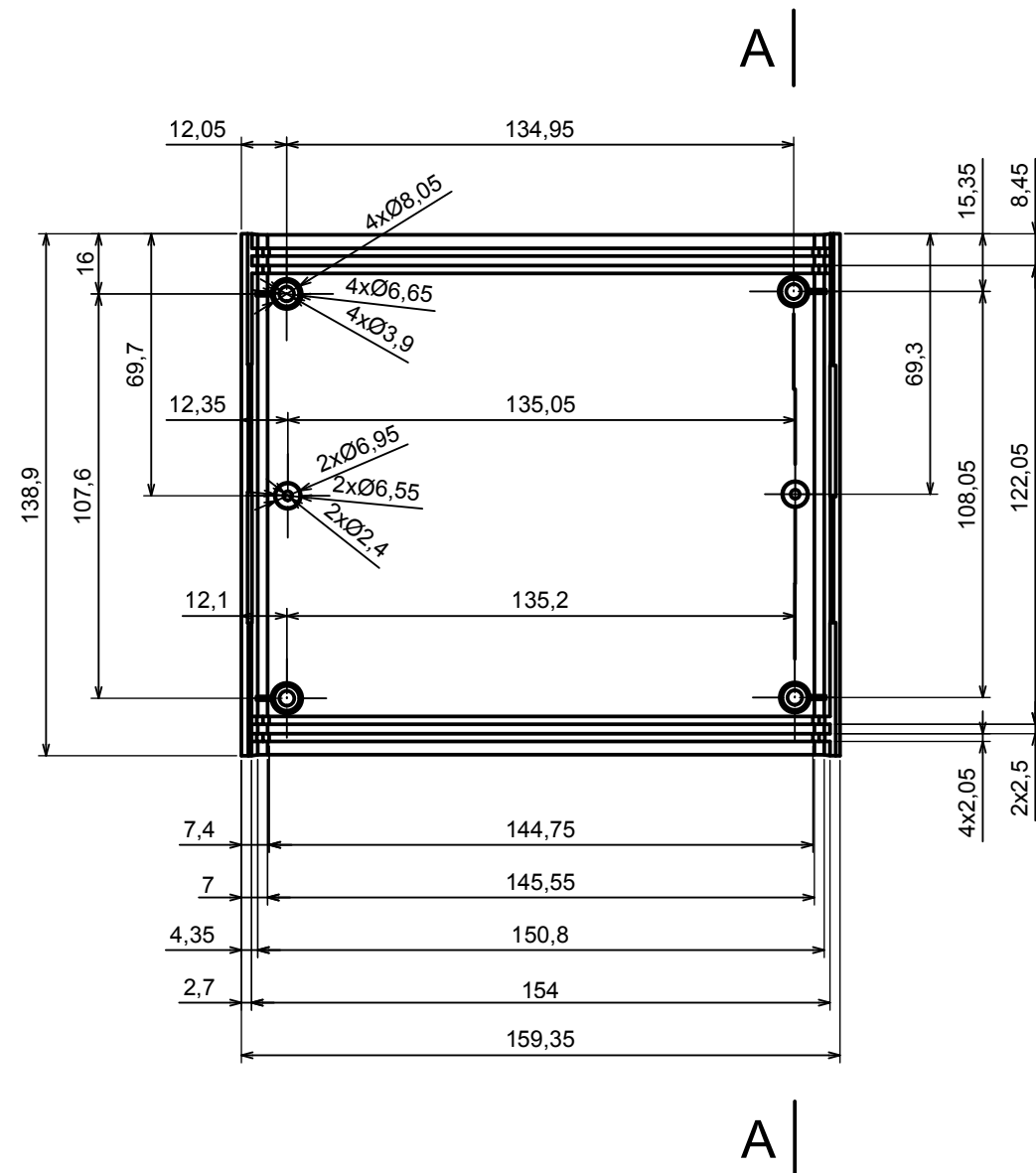
All rights reserved, Copyright Kradex 2017

Product model Enclosure Z4A - Assembly

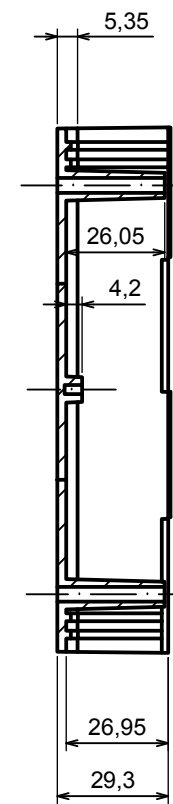
Format: A3 Material: PS, ABS

Scale 1:2 Tolerance: +/- 0.8





A-A



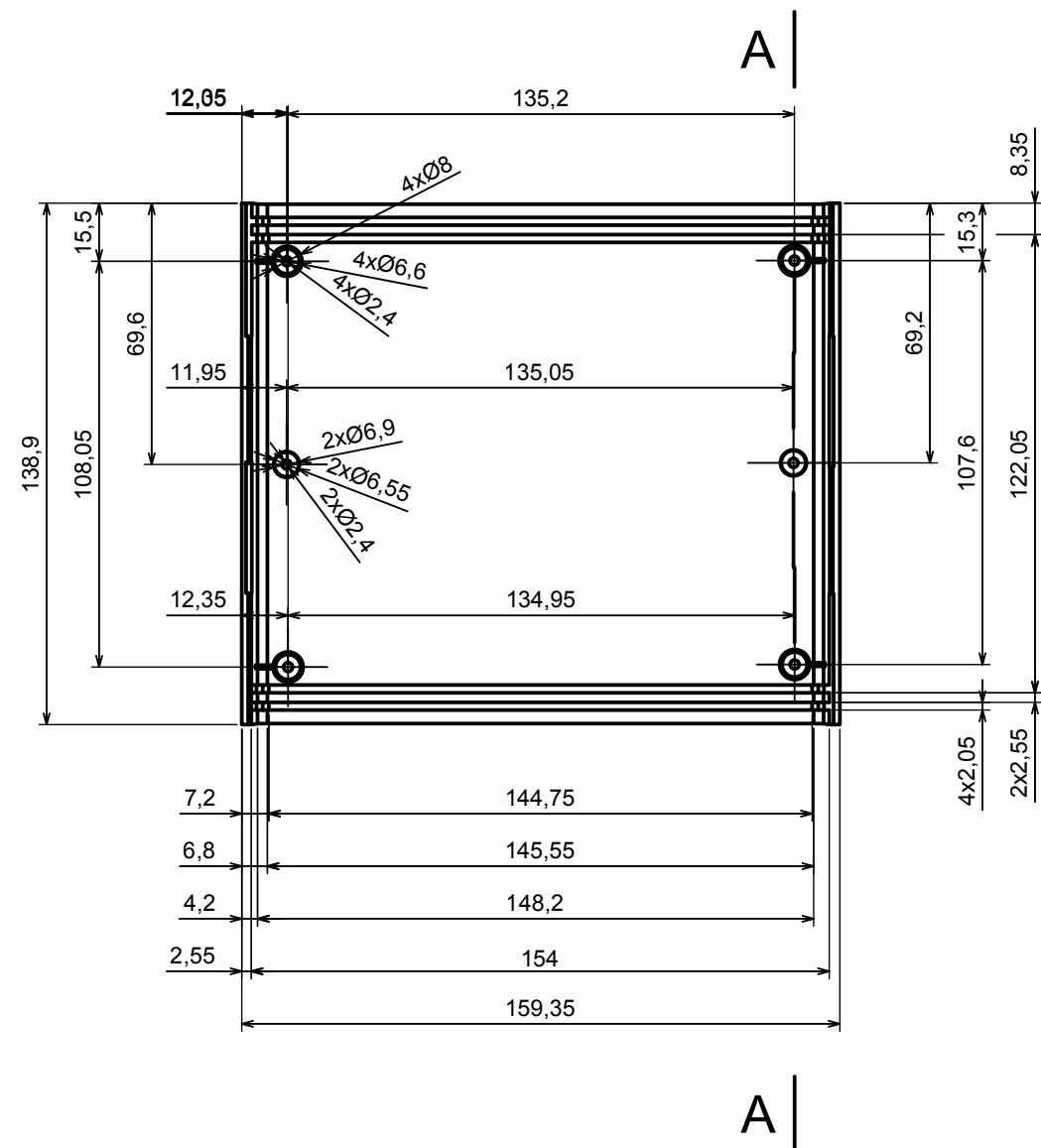
All rights reserved, Copyright Kradex 2017

Product model: Enclosure Z4A - Base

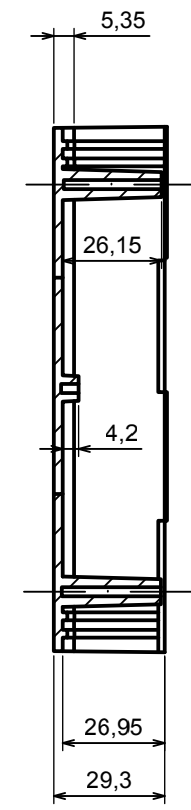
Format: A3 | Material: PS, ABS


Scale 1:2 | Tolerance: +/- 0.8

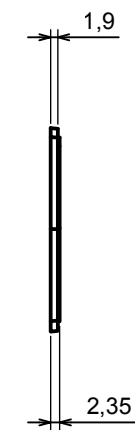
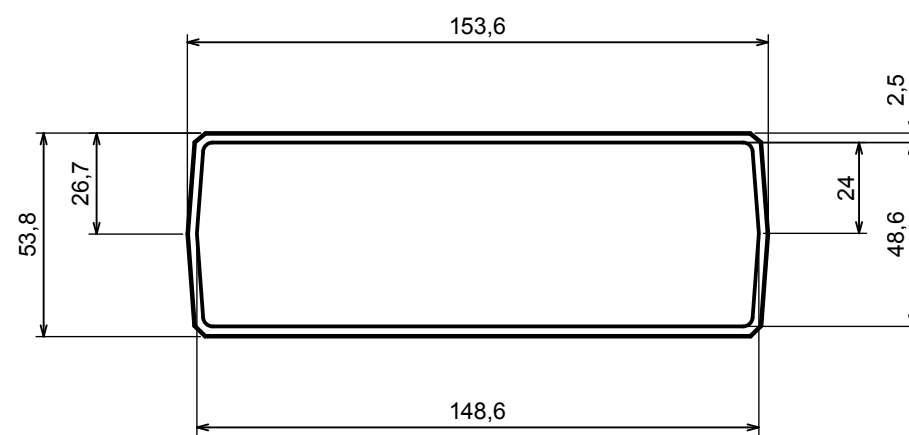




A-A



|  |                       |   |
|--|-----------------------|---|
| All rights reserved, Copyright Kradex 2017 |                       |   |
| Product model                              | Enclosure Z4A - Cover |   |
| Format: A3                                 | Material: PS, ABS     |  |
| Scale 1:2                                  | Tolerance: +/- 0.8    |   |



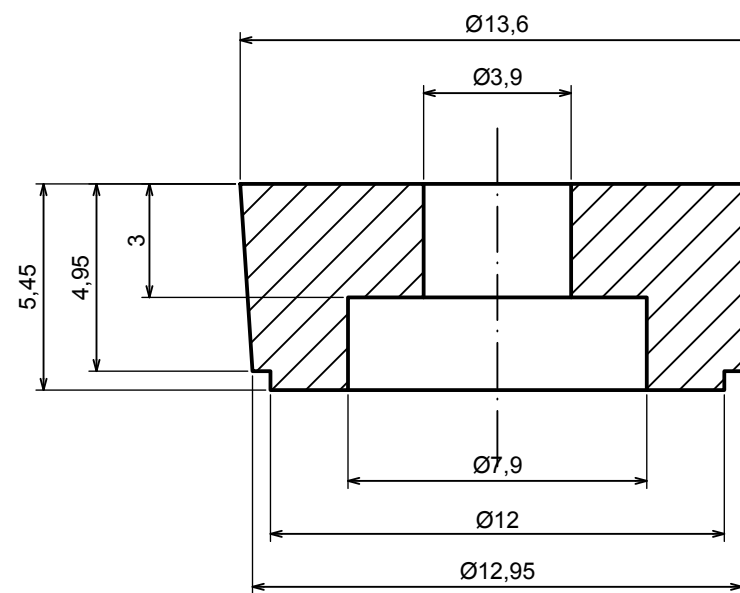
All rights reserved, Copyright Kradex 2017

Product model: Enclosure Z4A - Board

Format: A3      Material: PS, ABS

Scale 1:2      Tolerance: +/- 0.8





All rights reserved, Copyright Kradox 2017

Product model: Enclosure Z4A - Foot

Format: A3 Material: PS, ABS

Scale 5:1 Tolerance: +/- 0.8

