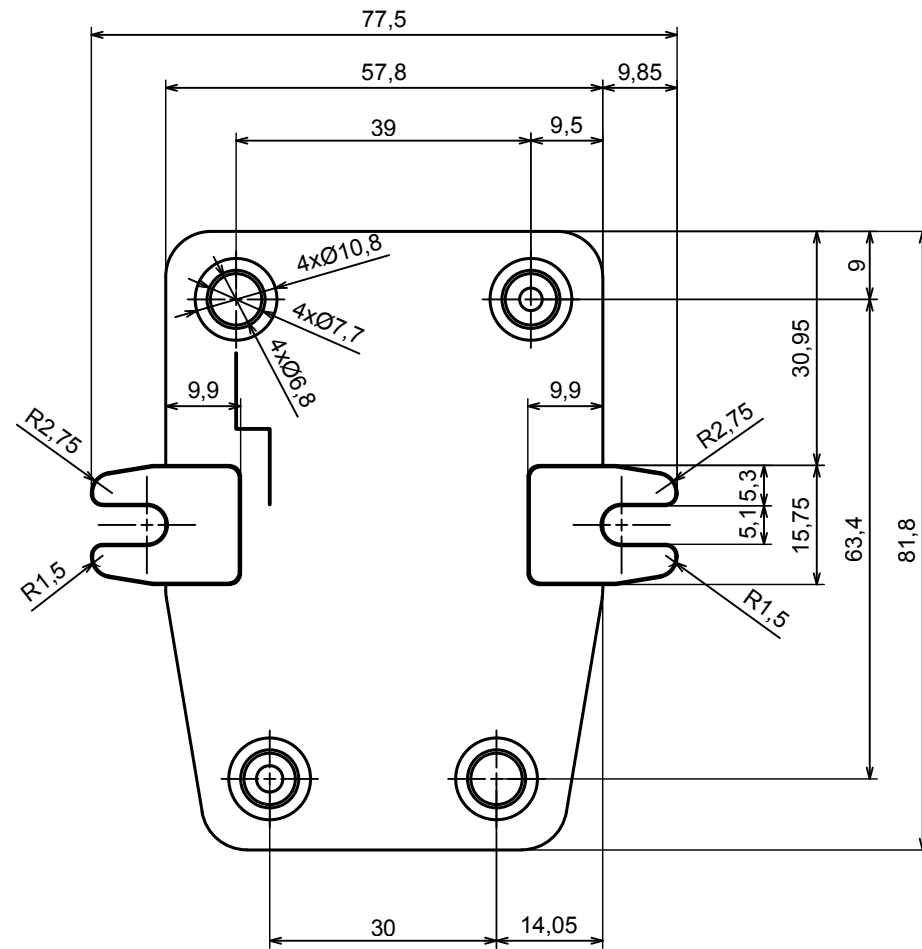
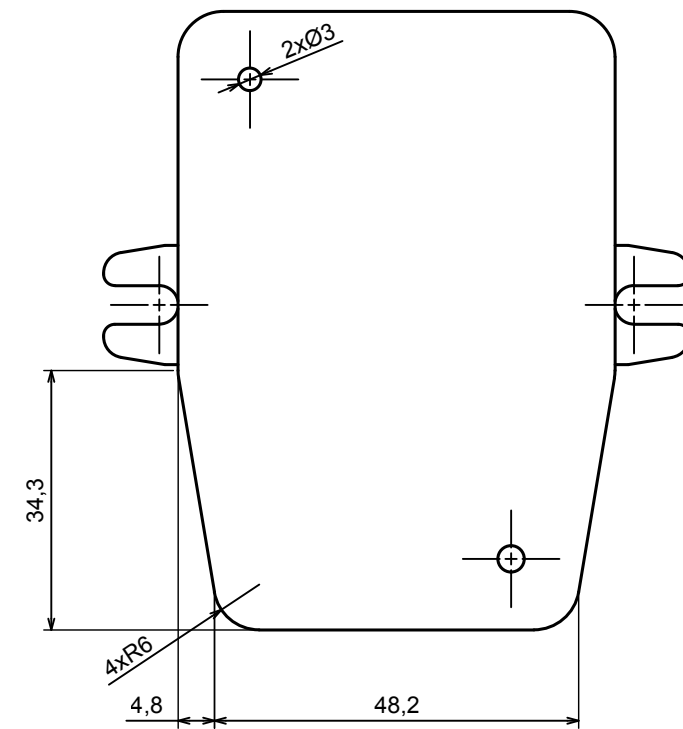
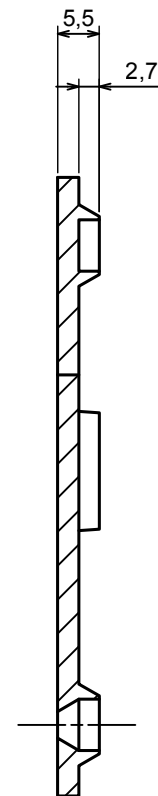


All rights reserved, Copyright Kradox 2018		
Product model	Enclosure Z92U - Assembly	
Format: A3	Material: PS, ABS	
Scale 1:1	Tolerance: +/- 0.8	


A |

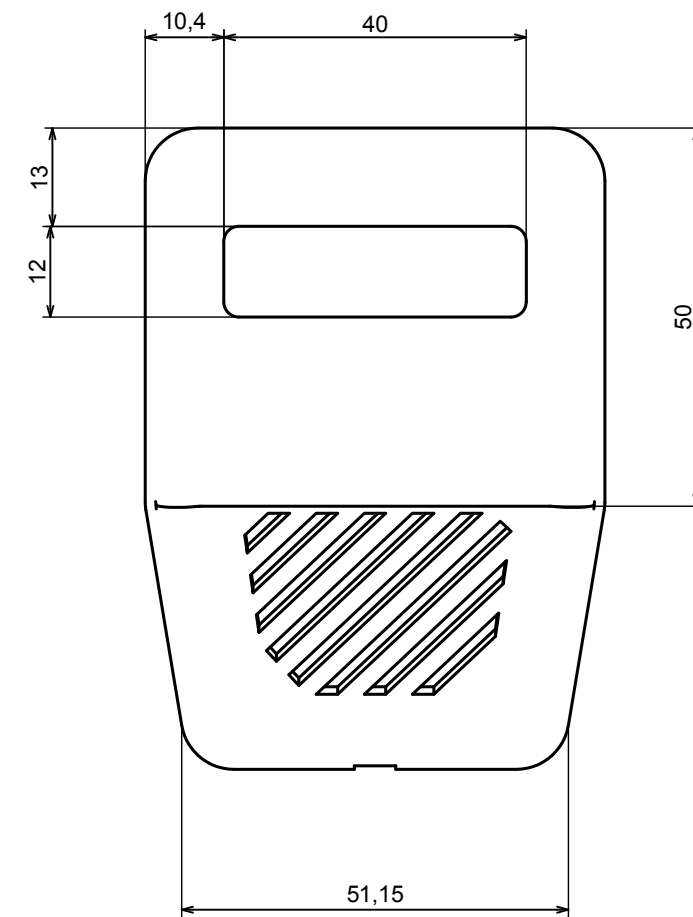
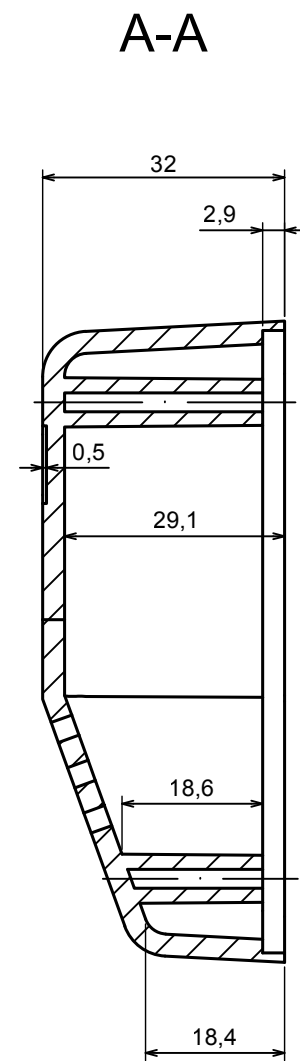
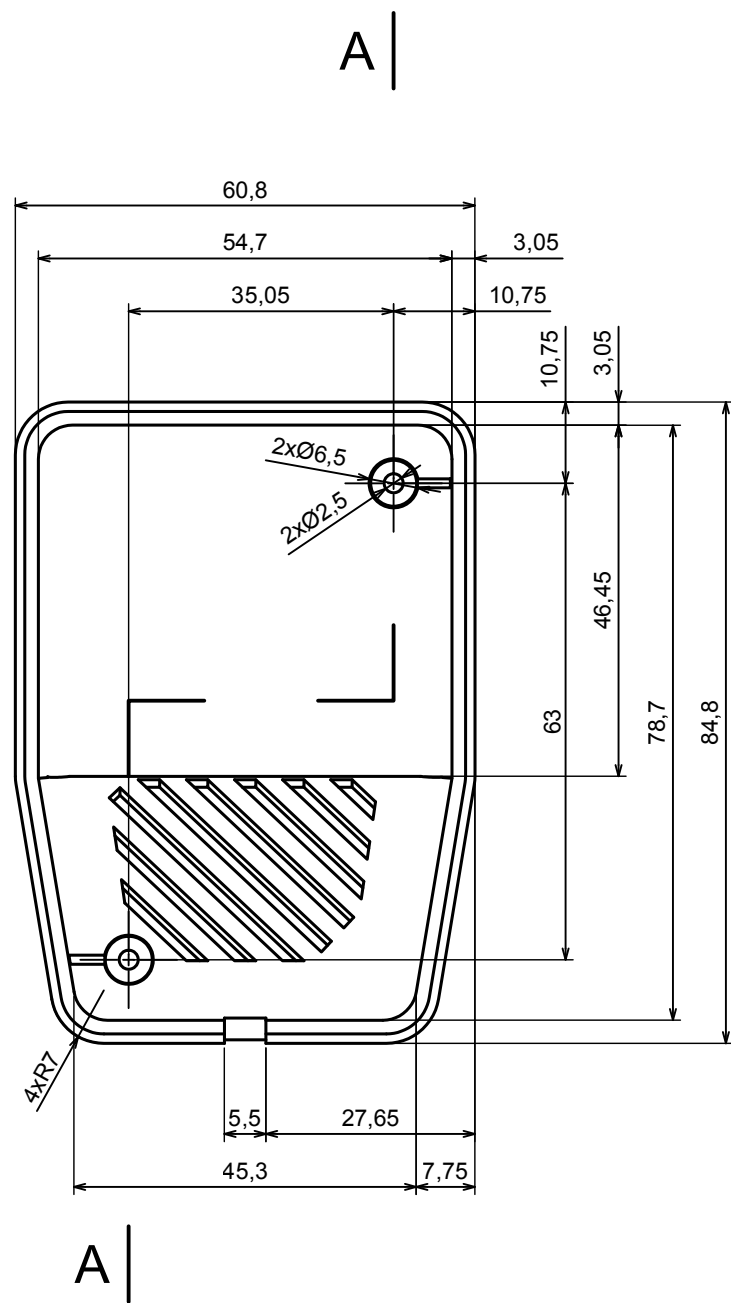


A-A



A |

All rights reserved, Copyright Kradox 2018		
Product model	Enclosure Z92 - Base	
Format: A3	Material: PS, ABS	
Scale 1:1	Tolerance: +/- 0.8	



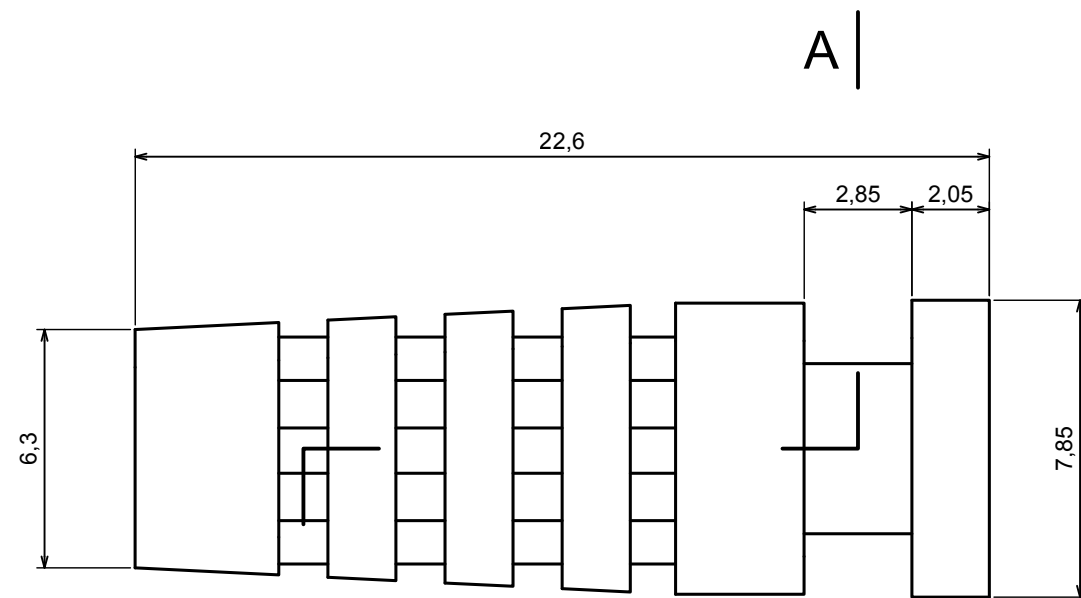
All rights reserved, Copyright Kradex 2018

Product model Enclosure Z92U - Cover

Format: A3 Material: PS, ABS

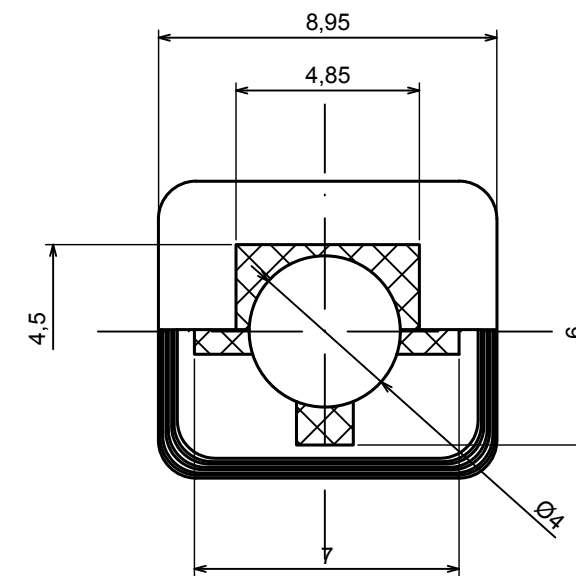
Scale 1:1 Tolerance: +/- 0.8





A |

A-A



All rights reserved, Copyright Kradox 2018

Product model Z92U - Bend Protector $\text{Ø}4$

Format: A3 Material: Rubber

Scale 5:1 Tolerance: +/- 0.5

