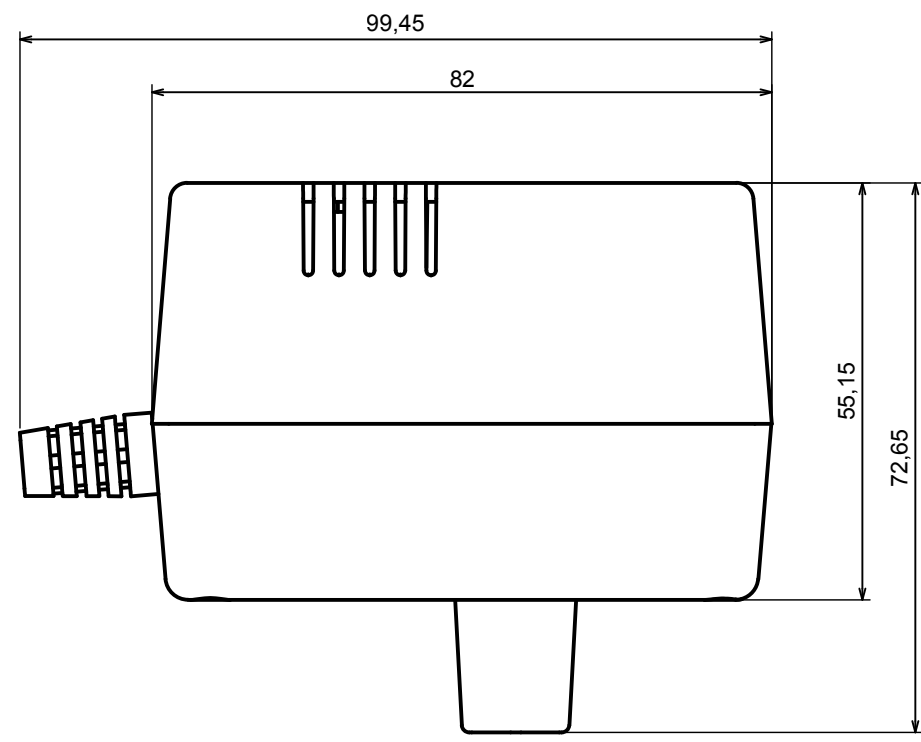
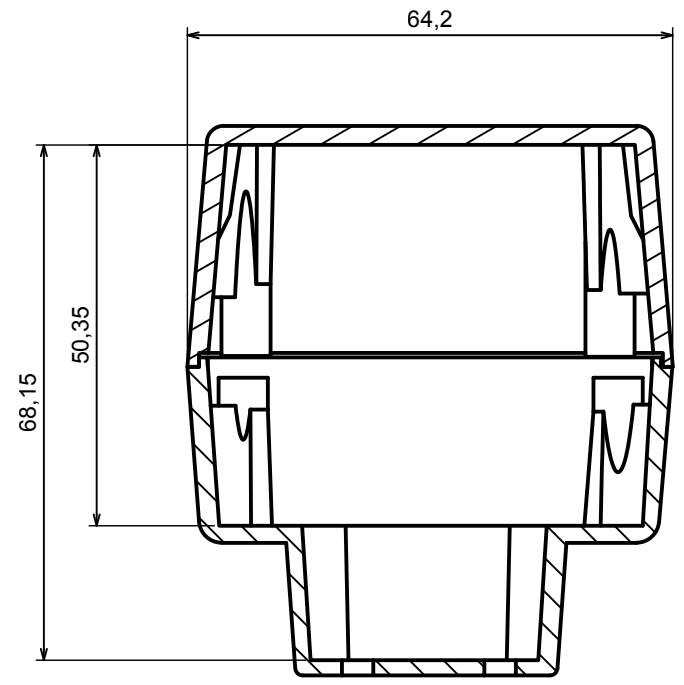


A |

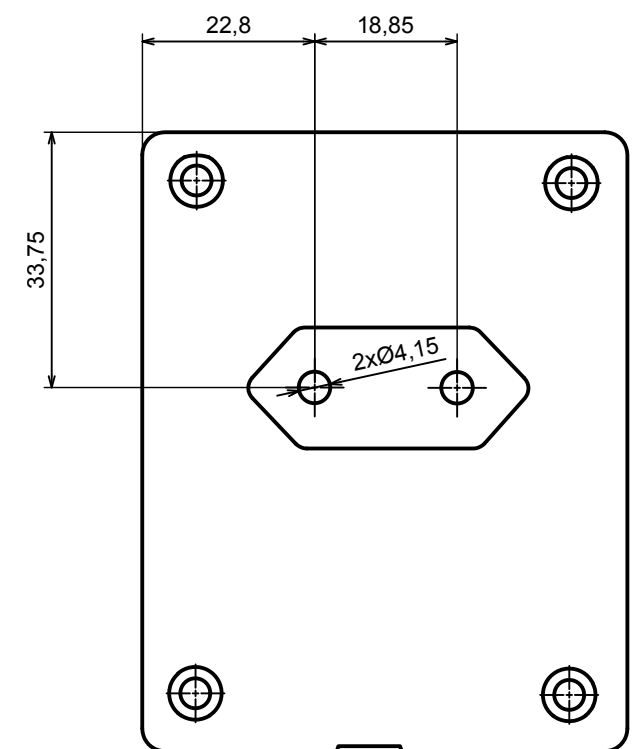
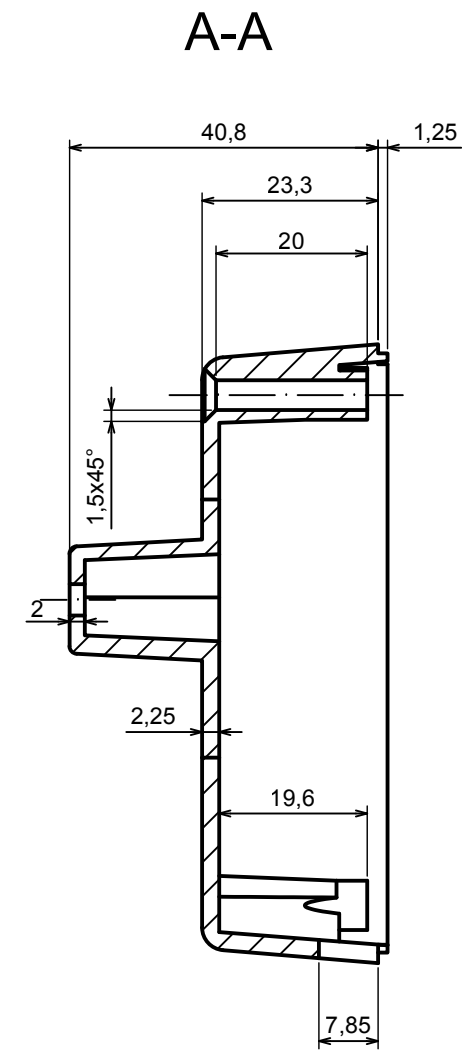
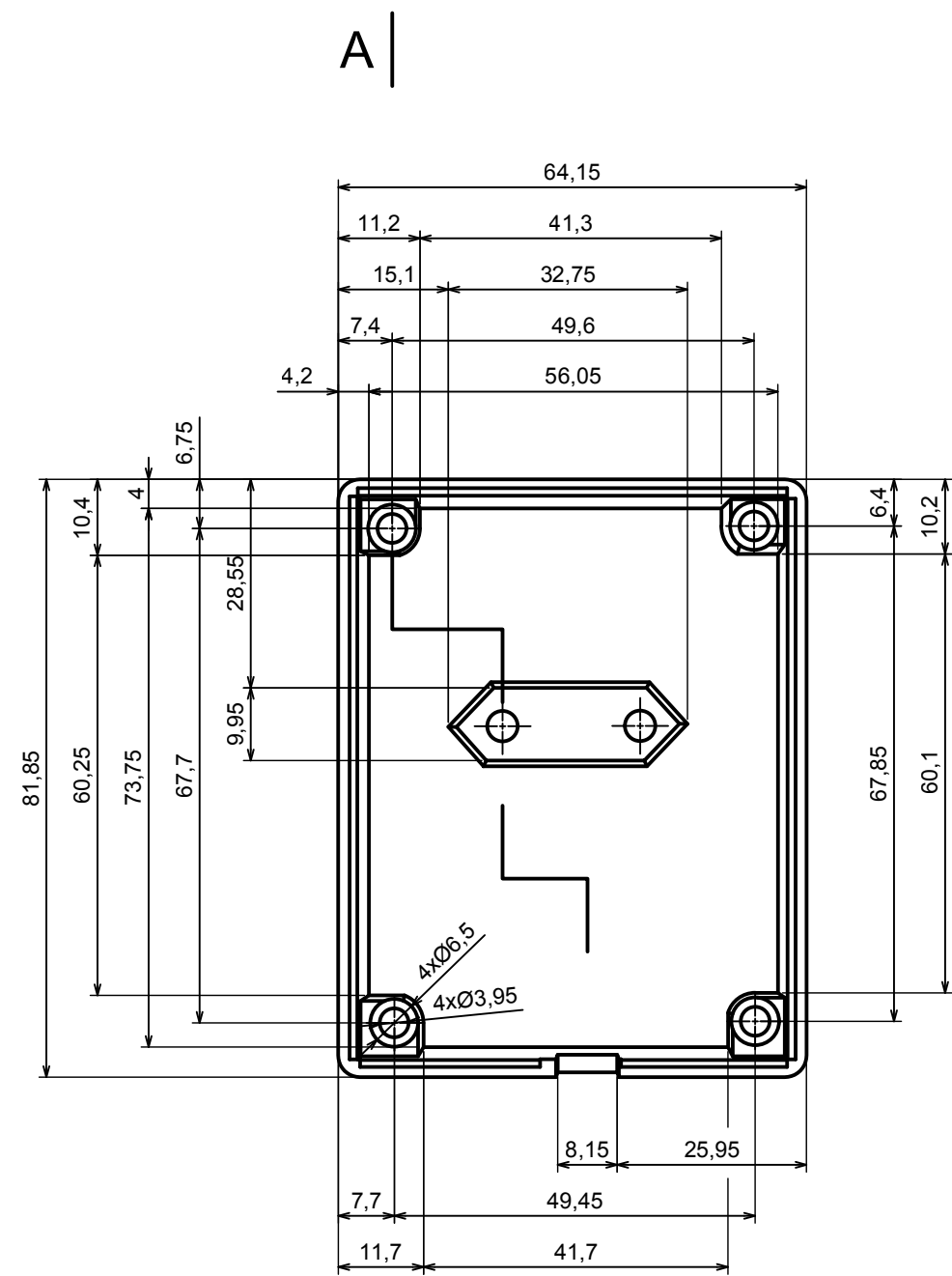


A |

A-A

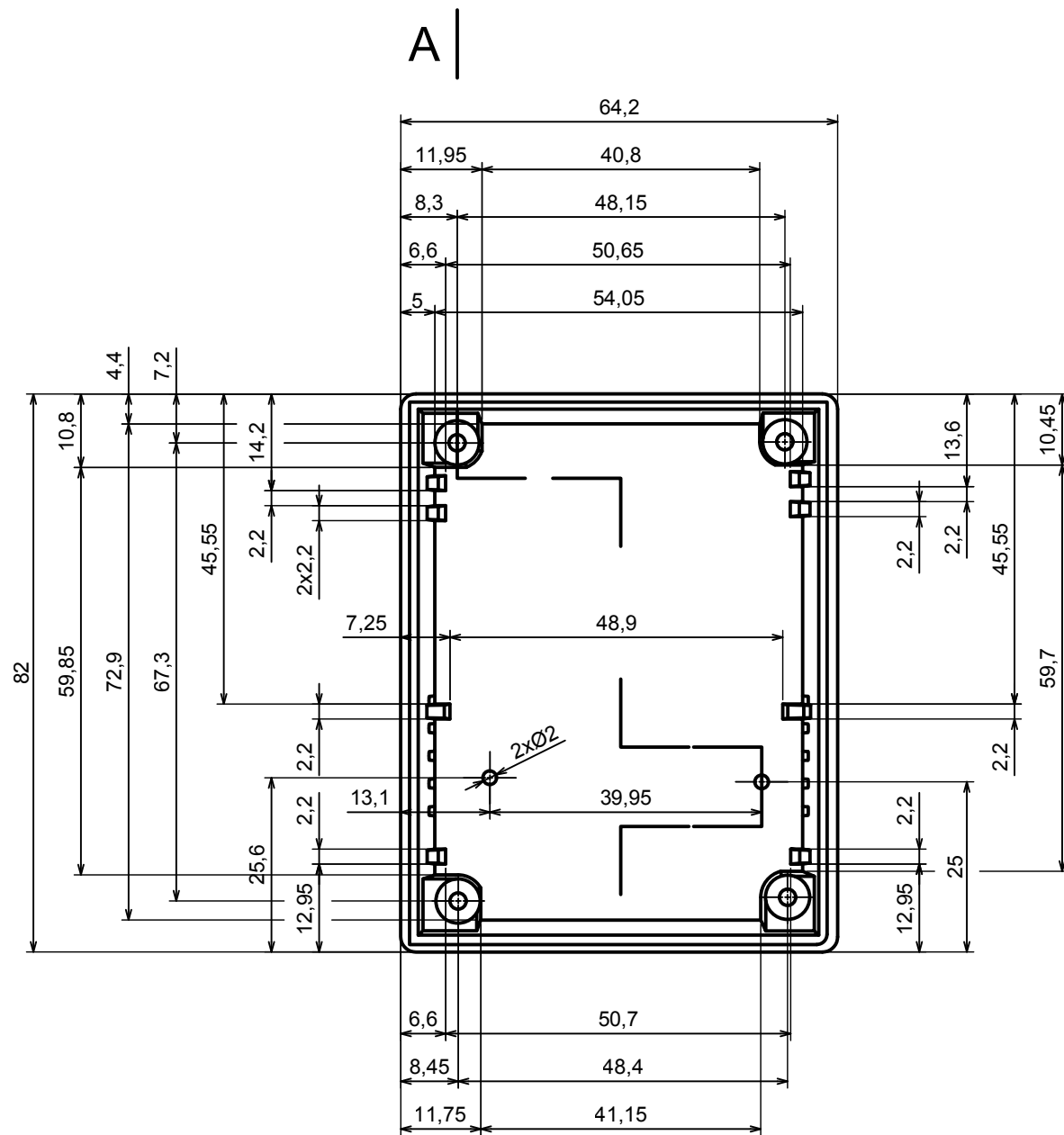


All rights reserved, Copyright Kradex 2017		
Product model	Enclosure Z21 - Assembly	
Format: A3	Material: PS, ABS	
Scale 1:1	Tolerance: +/- 0.8	



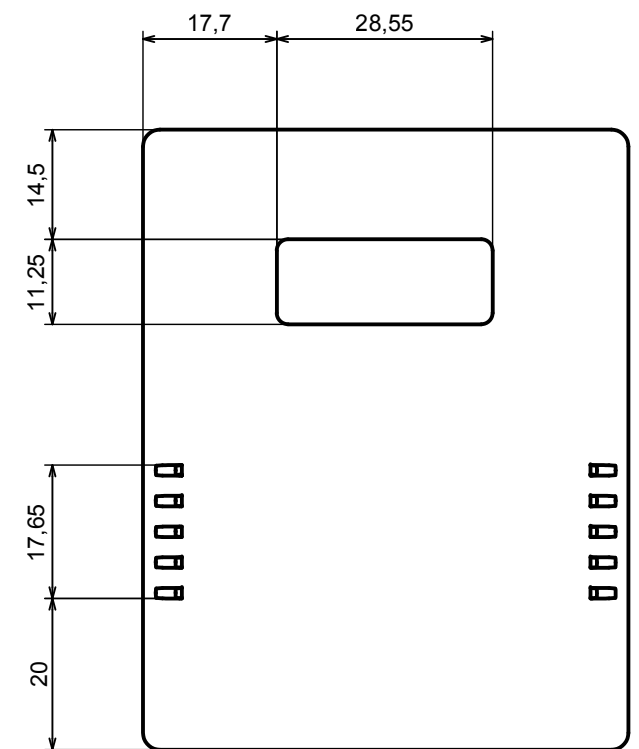
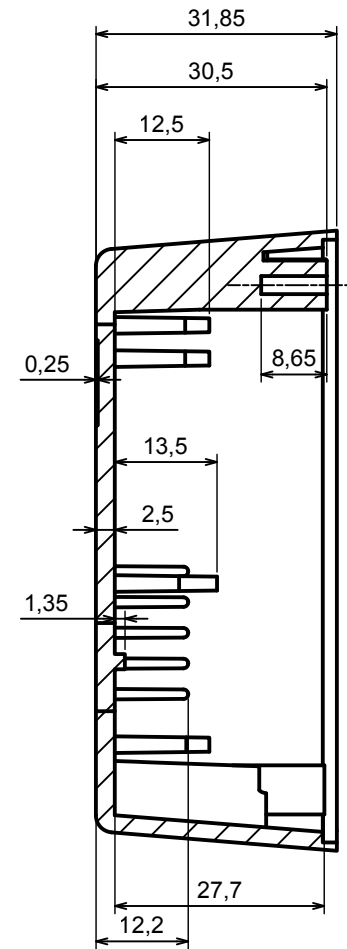
A |

All rights reserved, Copyright Kradox 2017		
Product model	Enclosure Z21 - Base	
Format: A3	Material: PS, ABS	
Scale 1:1	Tolerance: +/- 0.8	



A |

A-A



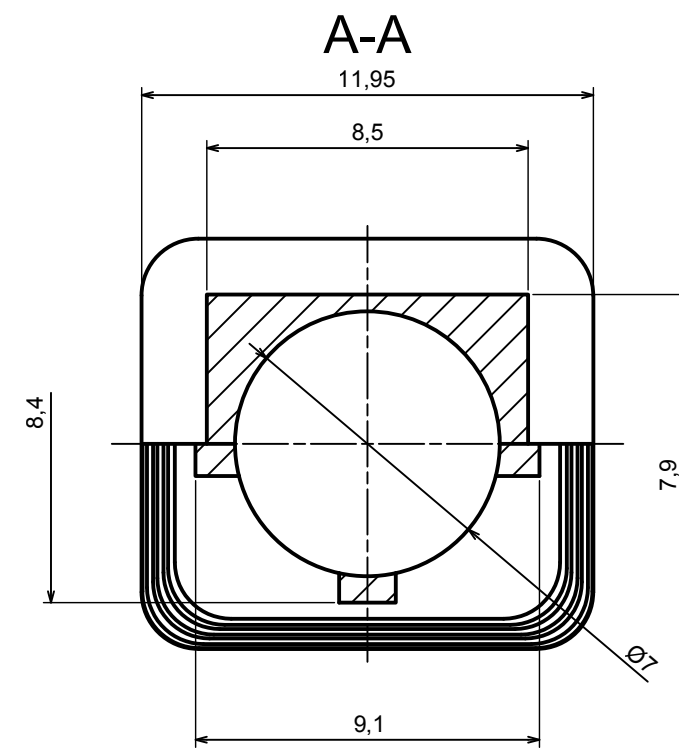
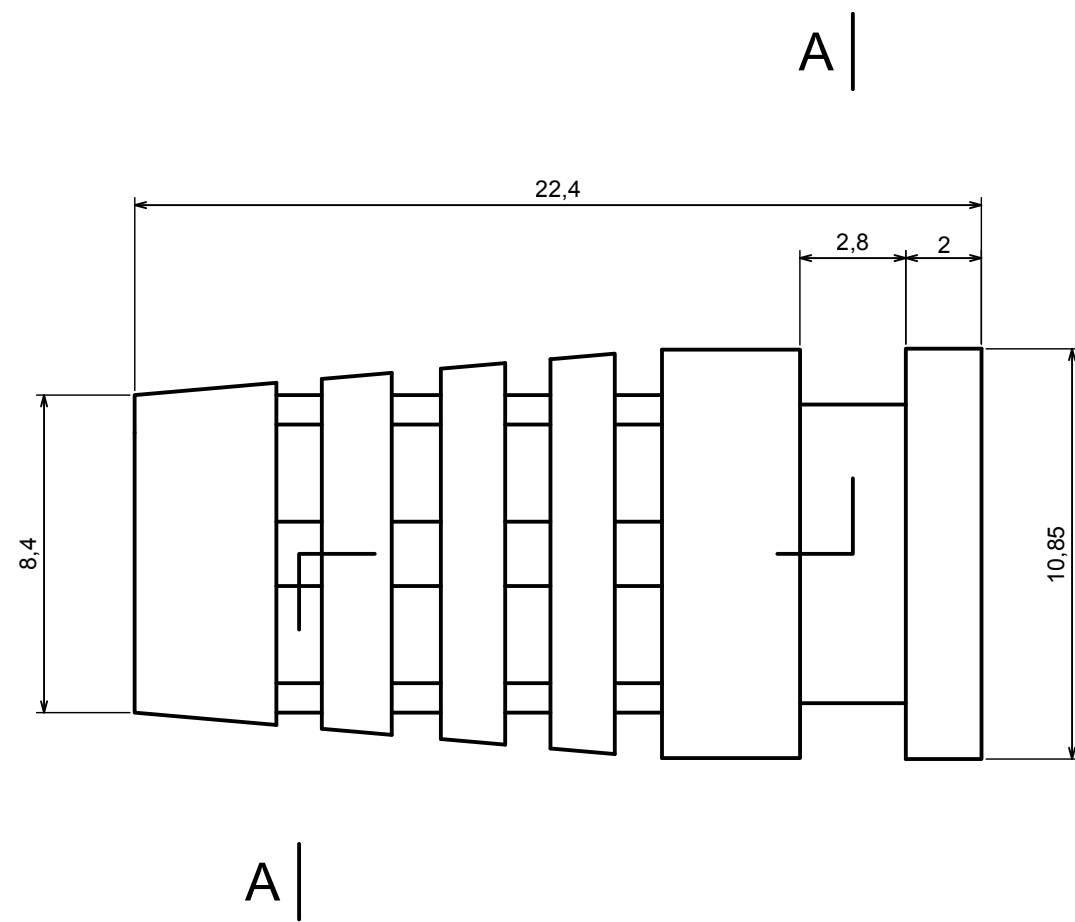
All rights reserved, Copyright Kradox 2017

Product model Enclosure Z21 - Cover

Format: A3 Material: PS, ABS

Scale 1:1 Tolerance: +/- 0.8





All rights reserved, Copyright Kradox 2017

Product model Enclosure Z21 - Bebdprotector

Format: A3 Material: PS, ABS

Scale 5:1 Tolerance: +/- 0.5

