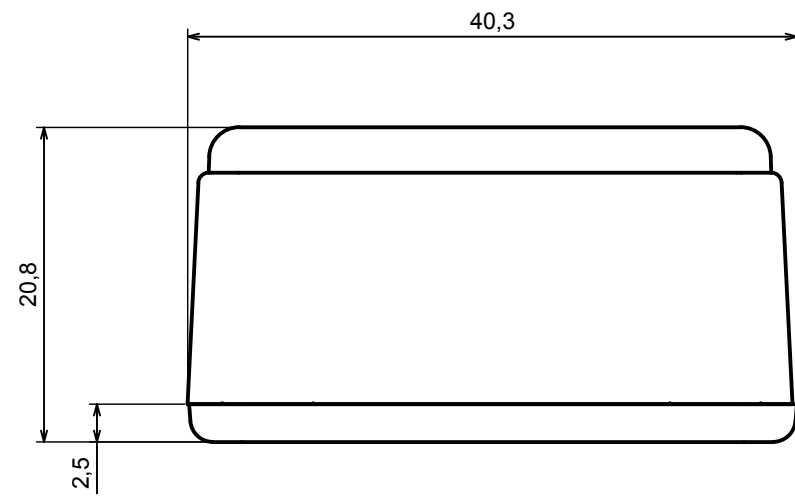
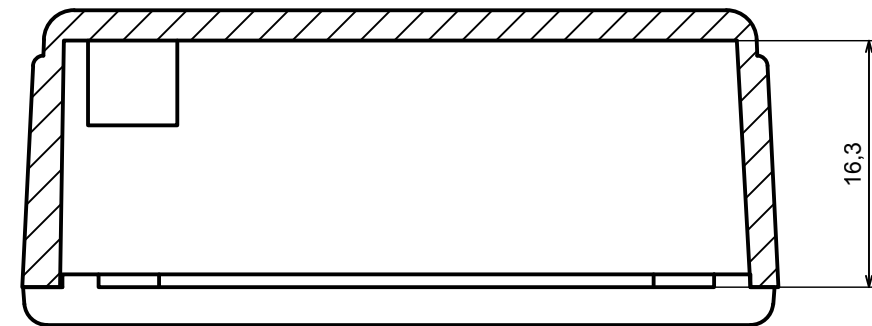


A |



A |

A-A



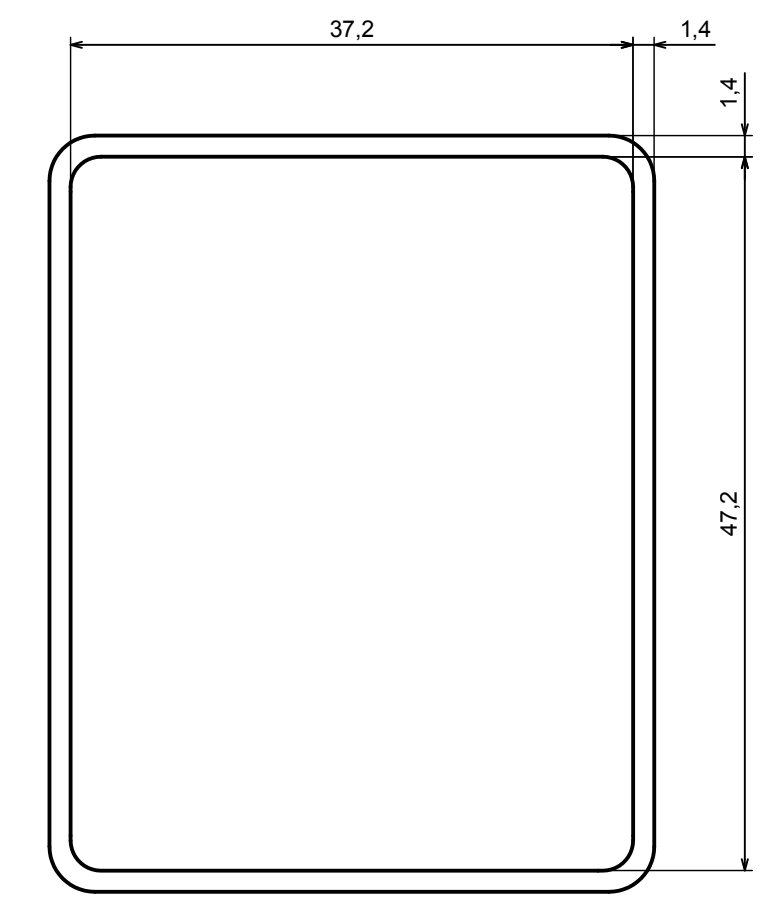
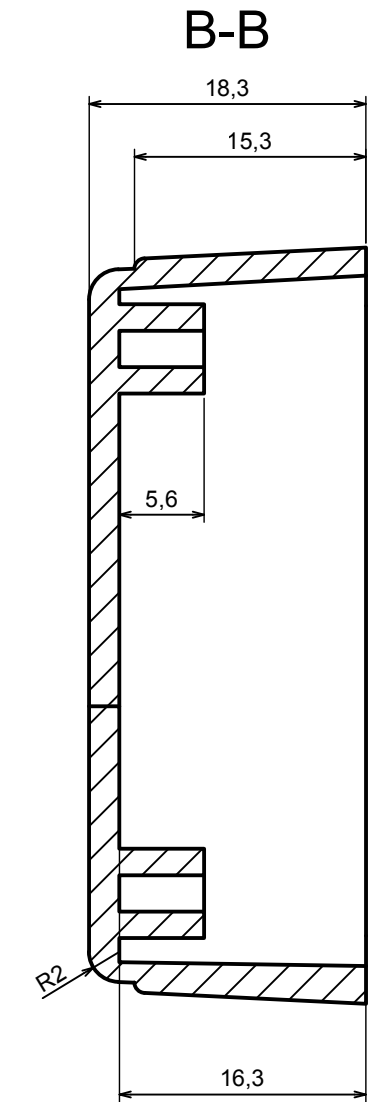
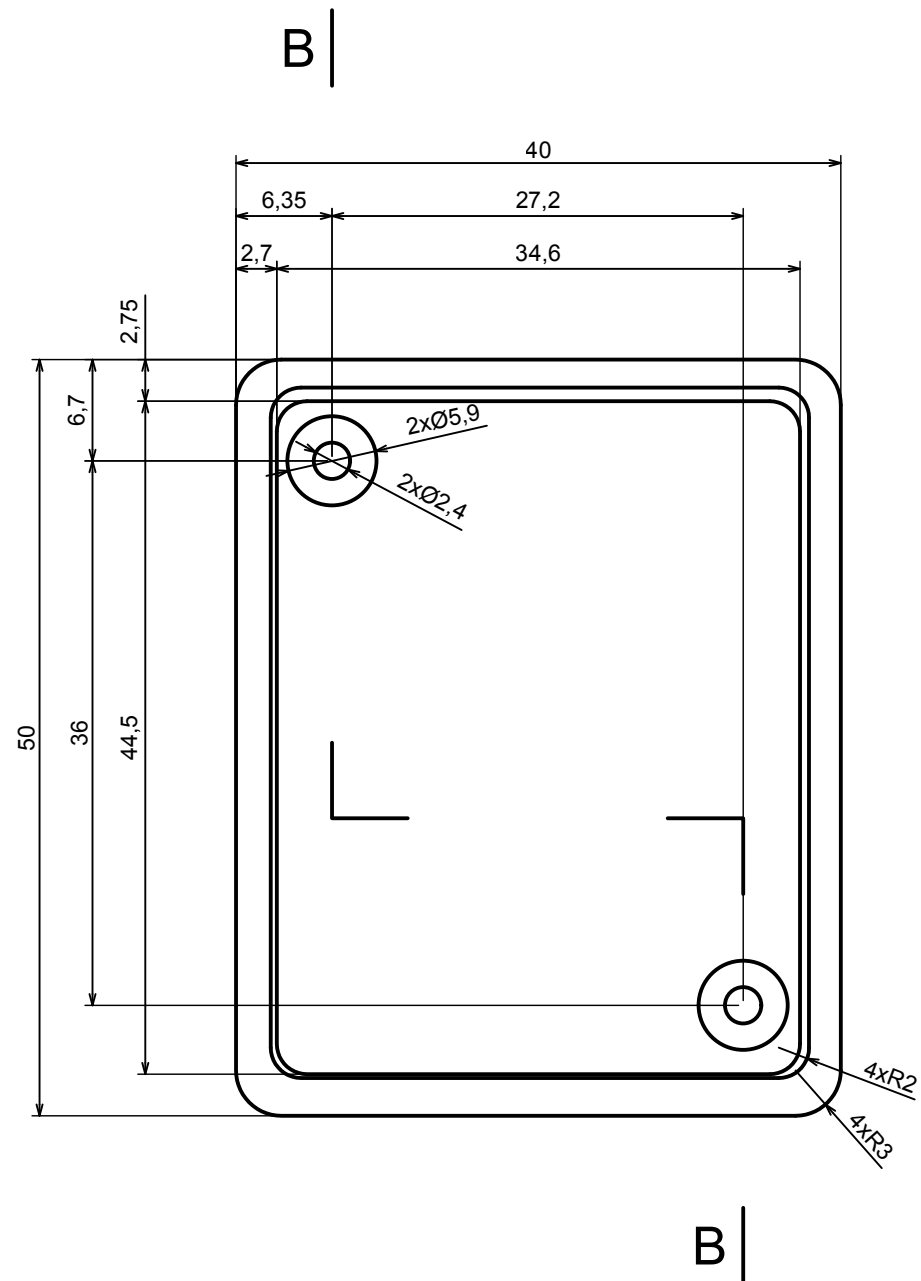
All rights reserved, Copyright Kradox 2017


Product model Enclosure Z47 - Assembly

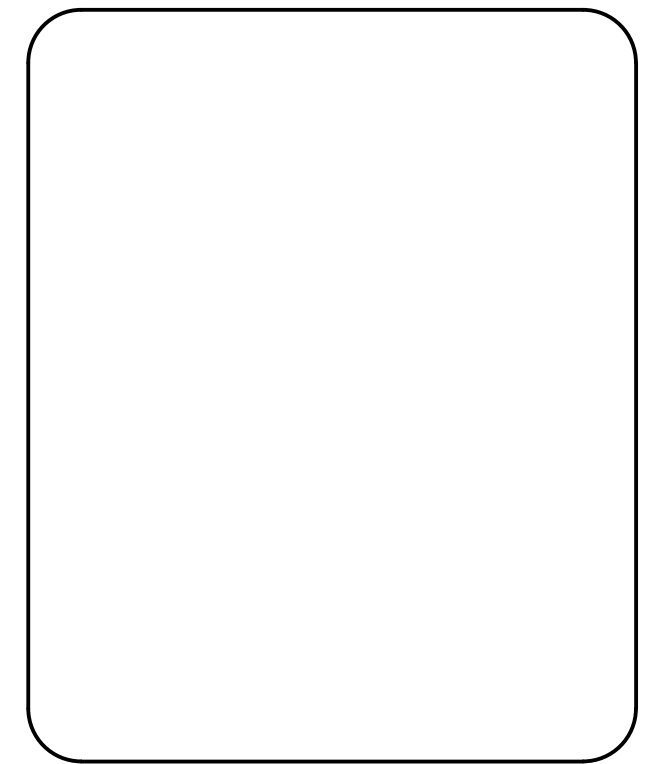
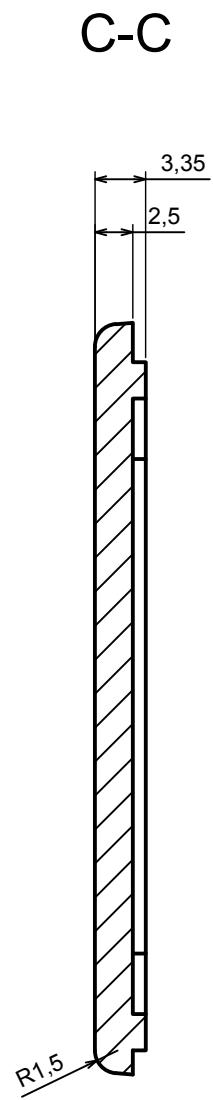
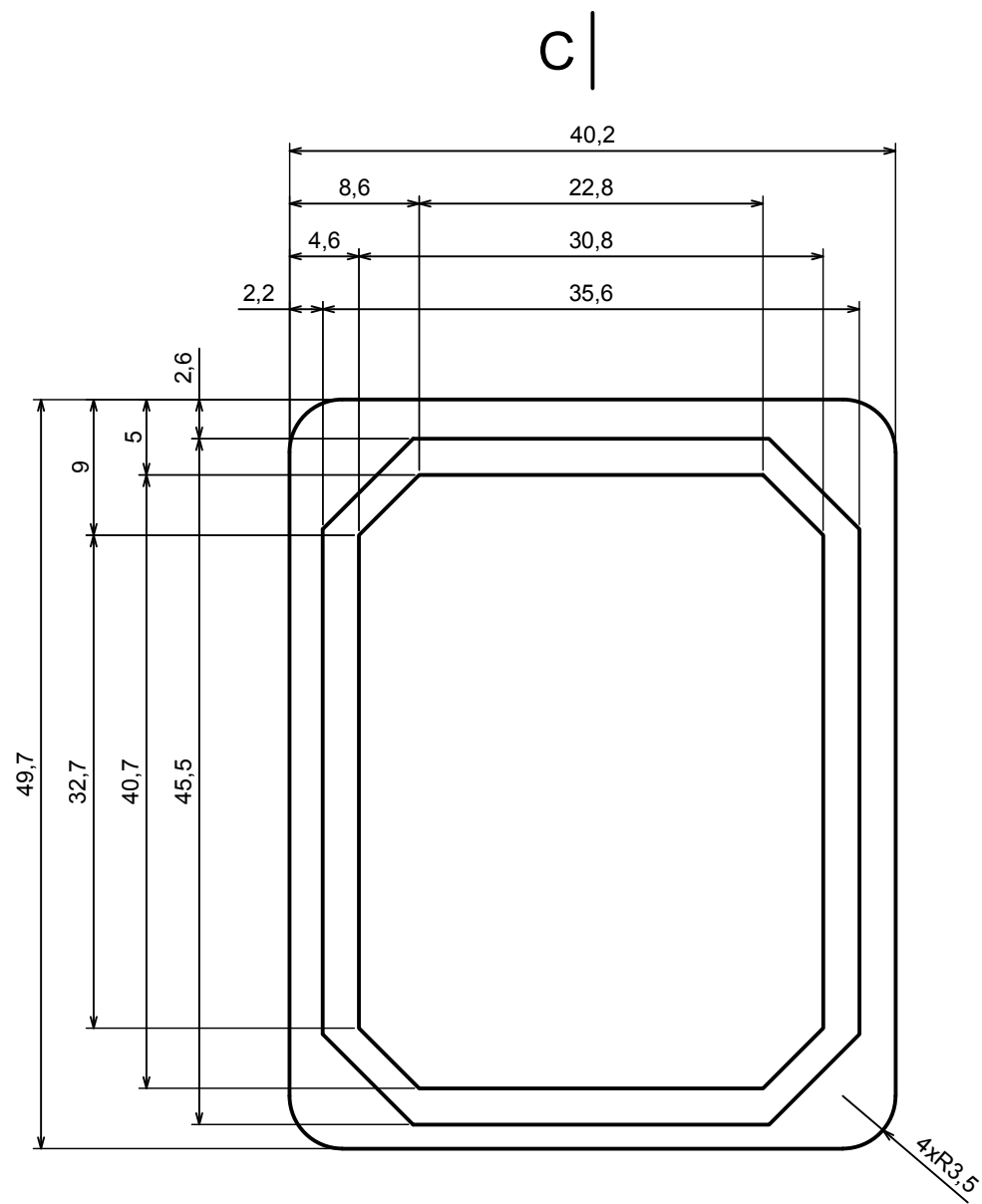
Format: A3 Material: PS, ABS

Scale 2:1 Tolerance: +/- 0.5






All rights reserved, Copyright Kradox 2017		
Product model	Enclosure Z47 - Base	
Format: A3	Material: PS, ABS	
Scale 2:1	Tolerance: +/- 0.5	



c |

All rights reserved, Copyright Kradox 2017		
Product model	Enclosure Z47 - Cover	
Format: A3	Material: PS, ABS	
Scale 2:1	Tolerance: +/- 0.5	