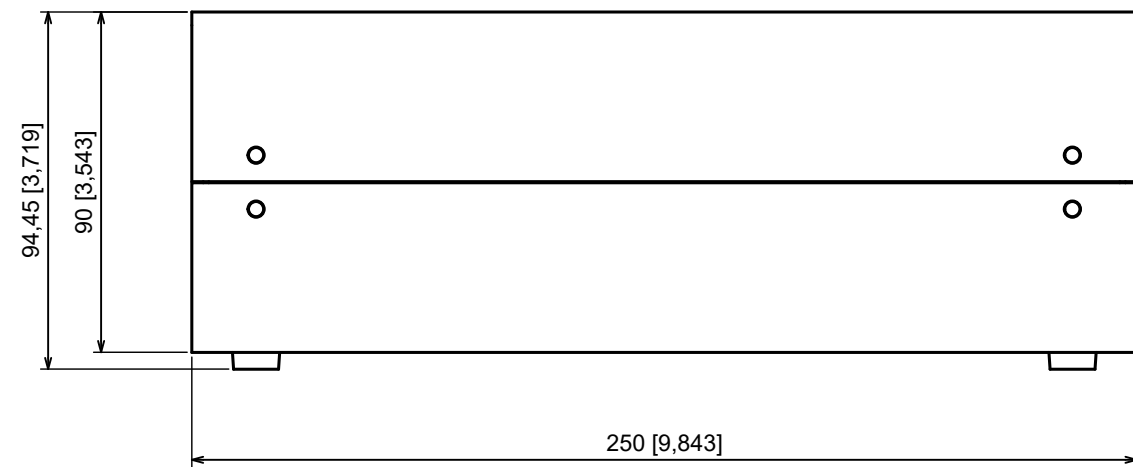
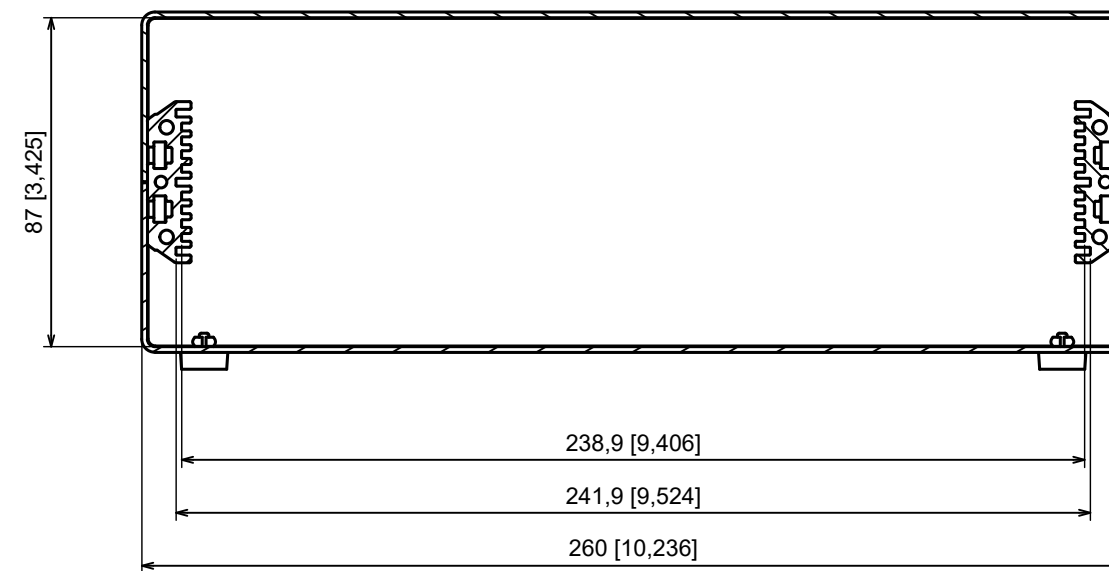


A |



A |

A-A



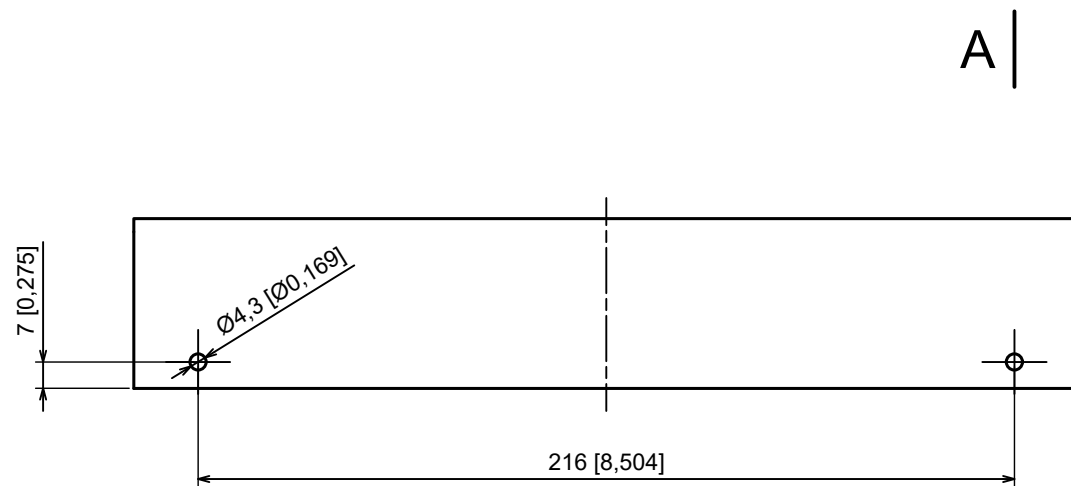
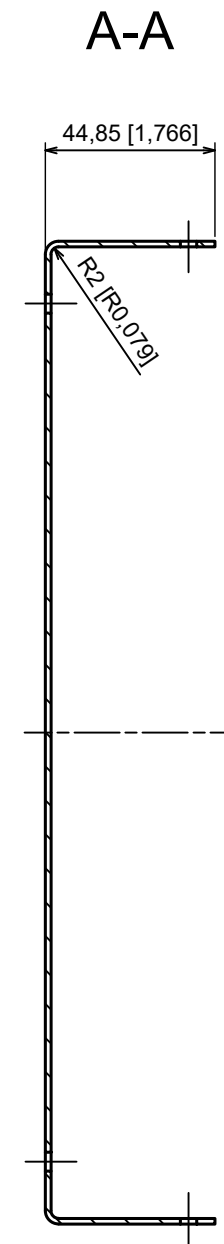
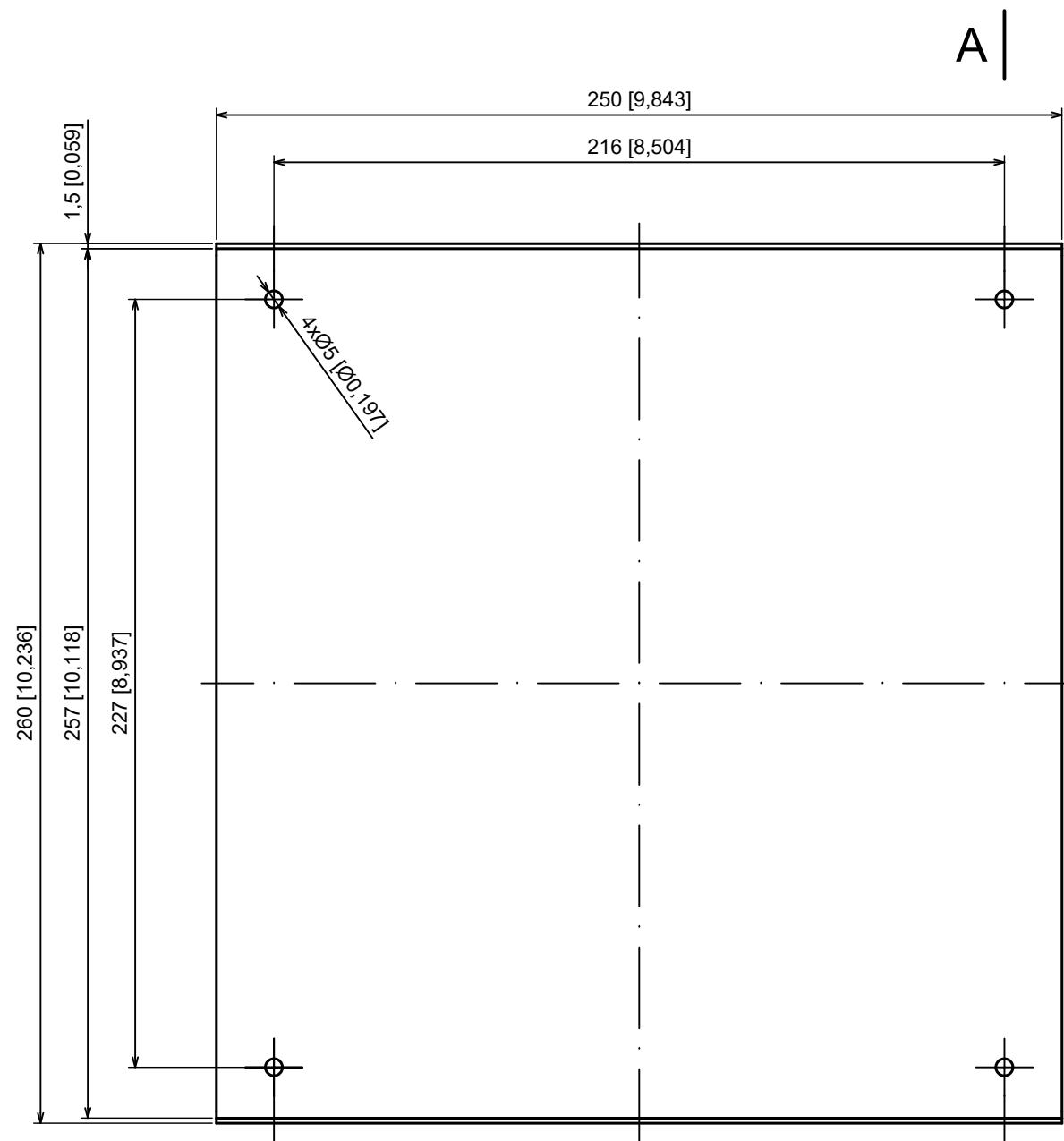
All rights reserved, Copyright Kradex 2023


Product model Enclosure ZR250.260.90 - Assembly

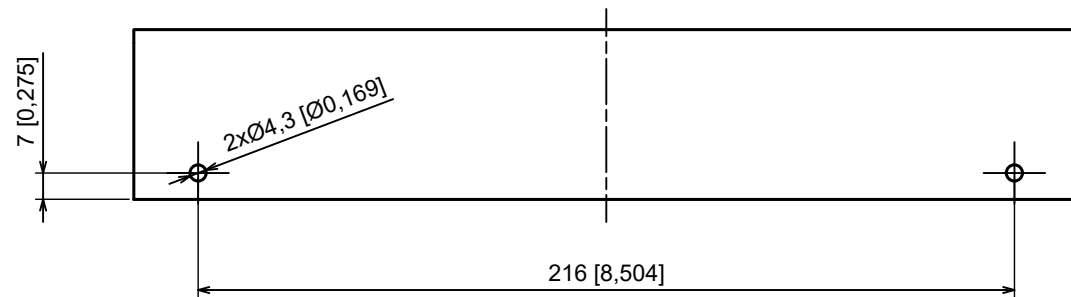
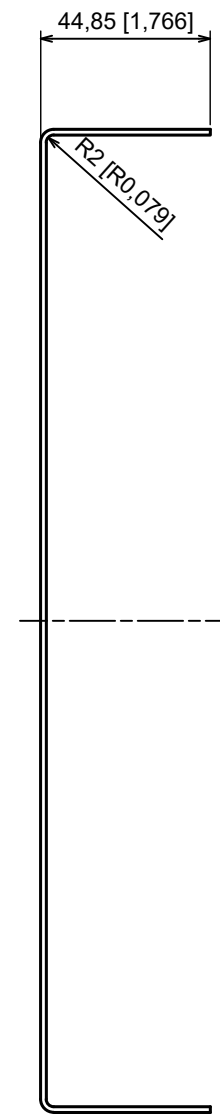
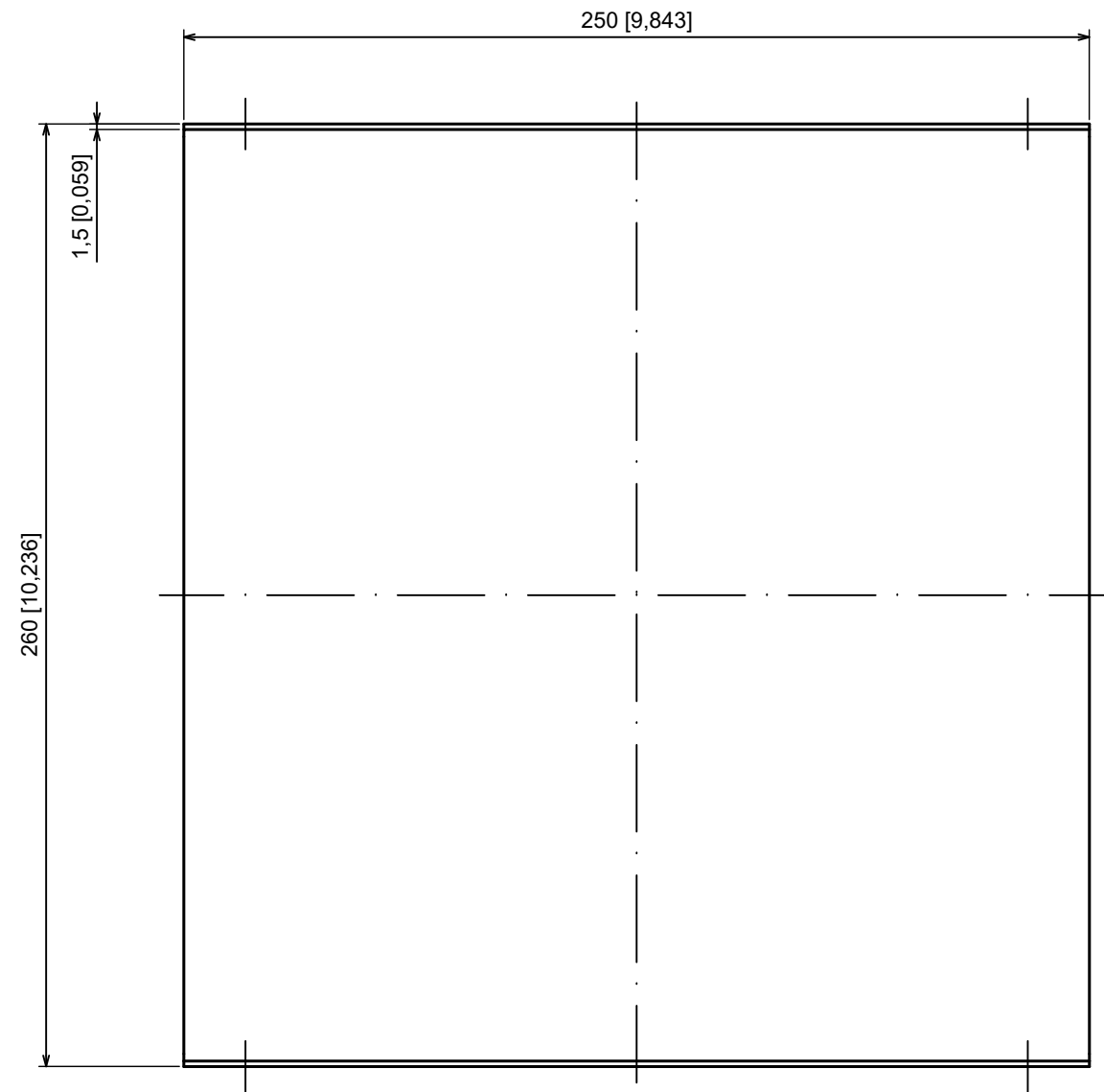
Format: A3 Material: Al

Scale 1:2 Tolerance: +/- 0.5





All rights reserved, Copyright Kradox 2023		
Product model	Enclosure ZR250.260.90 - Base	
Format: A3	Material: Al	
Scale 1:2	Tolerance: +/- 0.5	



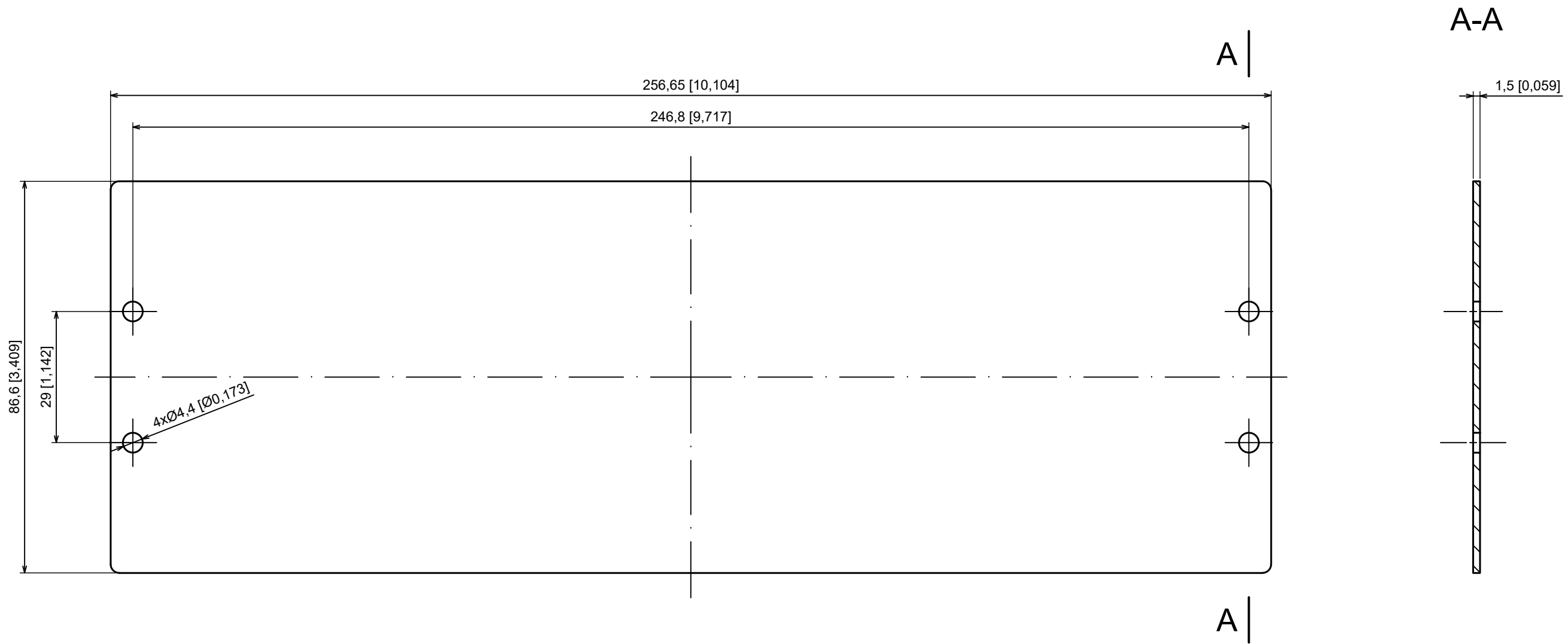
All rights reserved, Copyright Kradox 2023

Product model Enclosure ZR250.260.90 - Cover

Format: A3 Material: Al

Scale 1:2 Tolerance: +/- 0.5





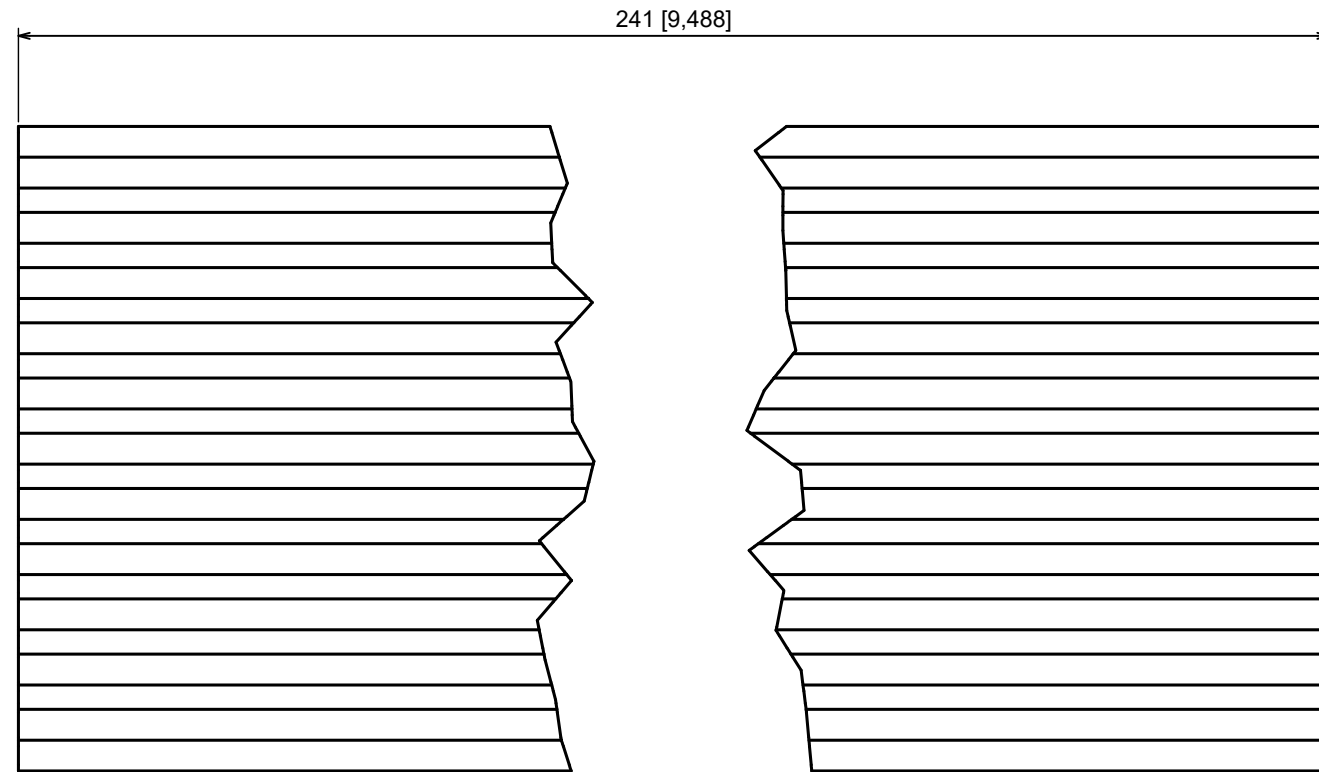
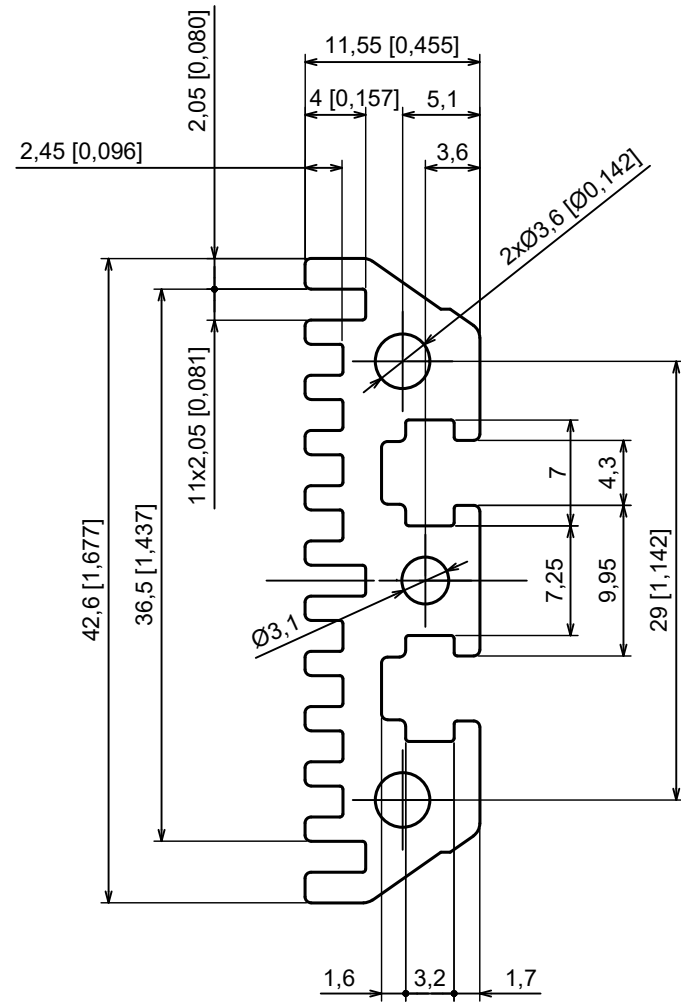
All rights reserved, Copyright Kradox 2023

Product model: Enclosure ZR250.260.90 - Front Panel

Format: A3 Material: Al

Scale 1:1 Tolerance: +/- 0.5





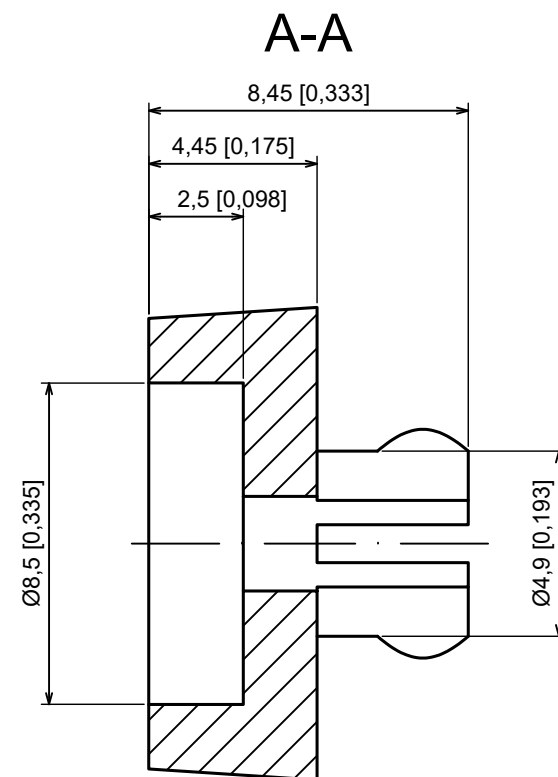
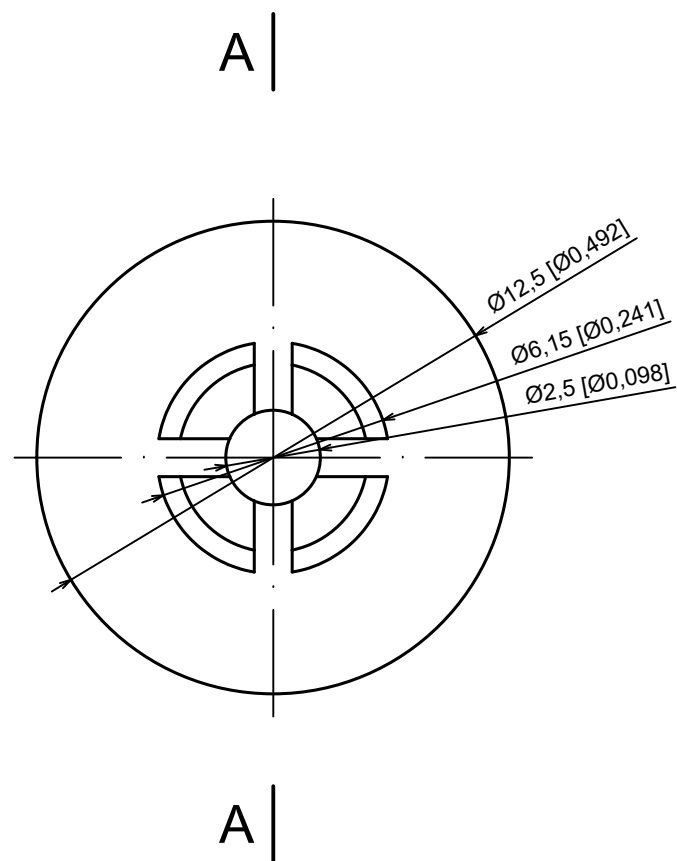
All rights reserved, Copyright Kradox 2023

Product model: Enclosure ZR250.260.90 - Rail

Format: A3 Material: Al

Scale 2:1 Tolerance: +/- 0.5





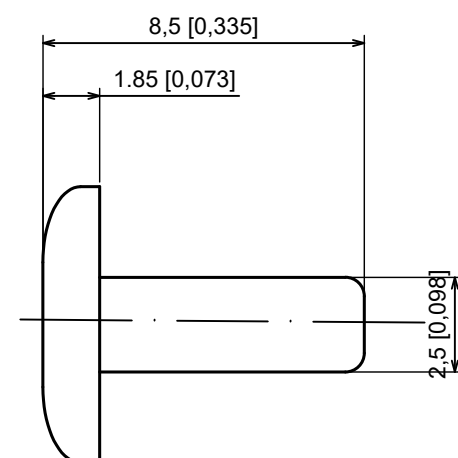
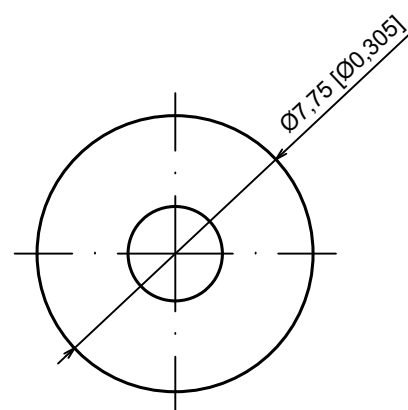
All rights reserved, Copyright Kradox 2023

Product model Enclosure ZR250.260.90 - Foot

Format: A3 Material: PE

Scale 5:1 Tolerance: +/- 0.5





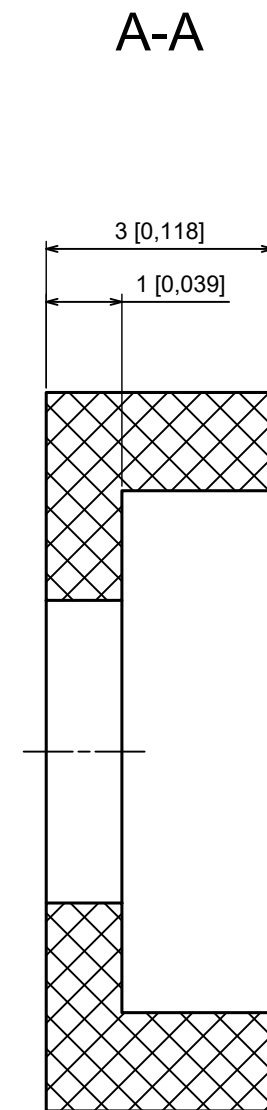
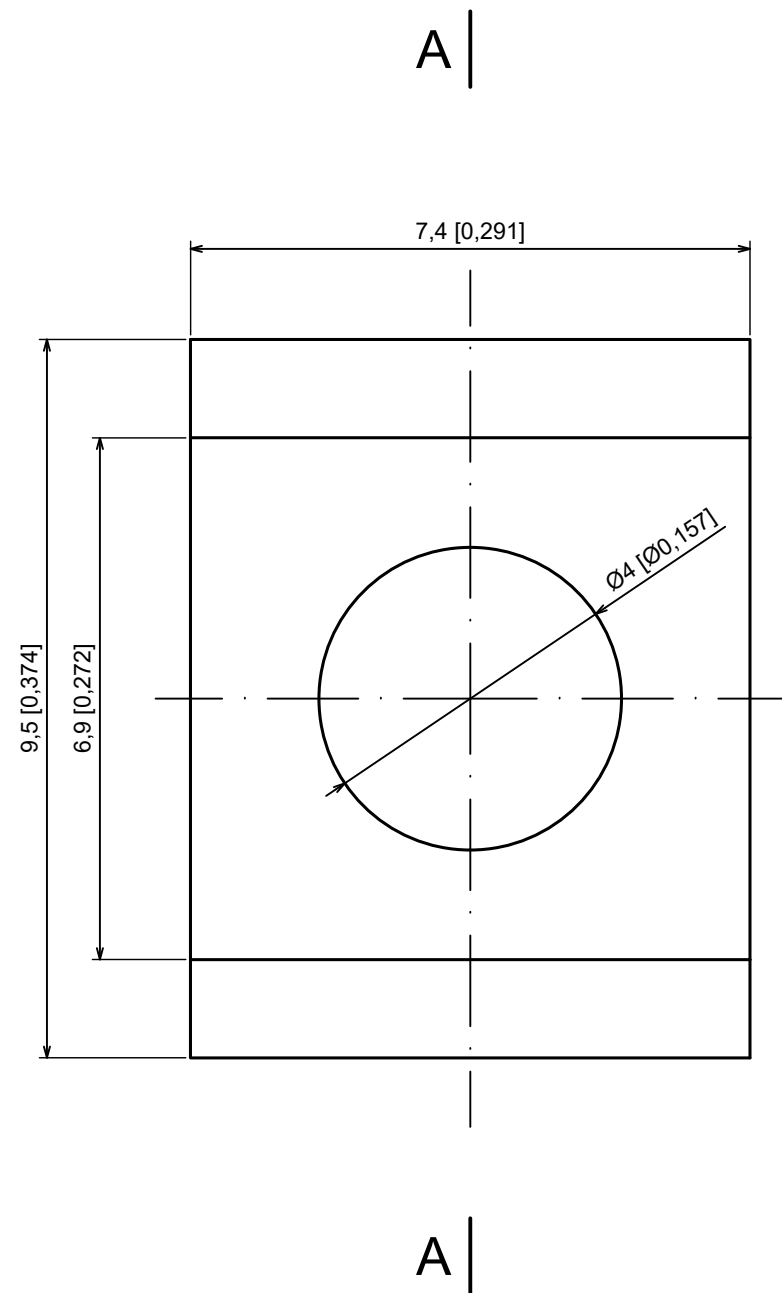
All rights reserved, Copyright Kradox 2023


Product model Enclosure ZR250.260.90 - Pin

Format: A3 Material: PP

Scale 5:1 Tolerance: +/- 0.5





All rights reserved, Copyright Kradox 2023		
Product model	Enclosure ZR250.260.90 - Rubber Pad	
Format: A3	Material: Rubber	
Scale 10:1	Tolerance: +/- 0.5	