

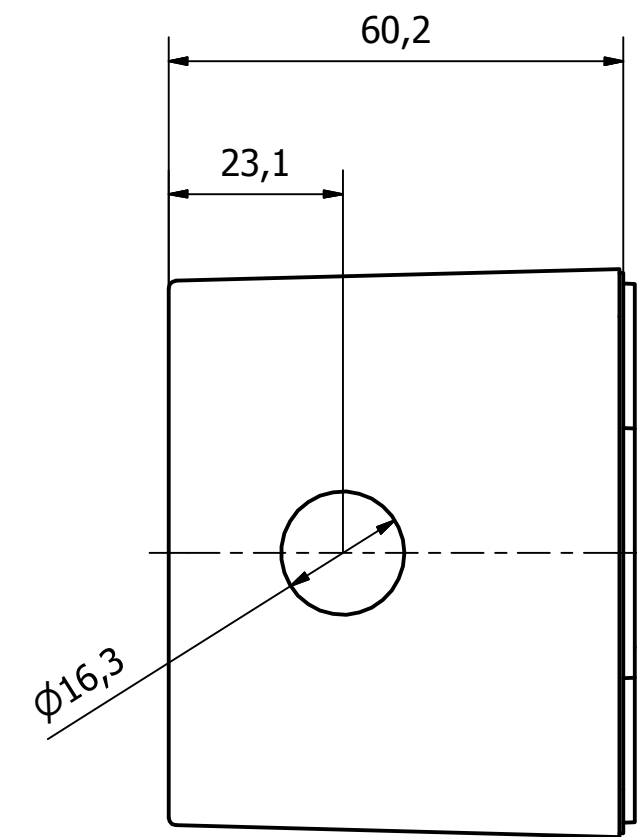
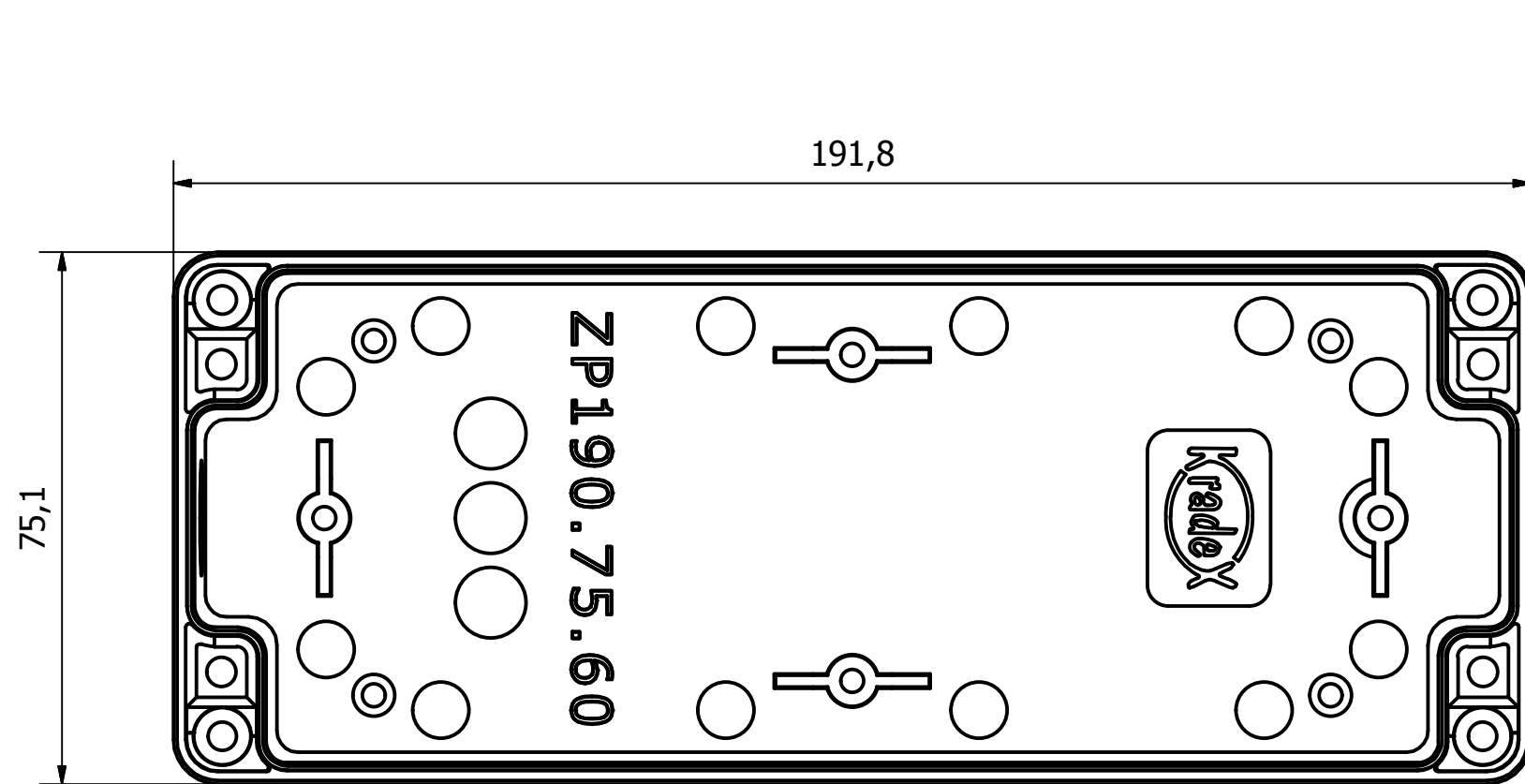


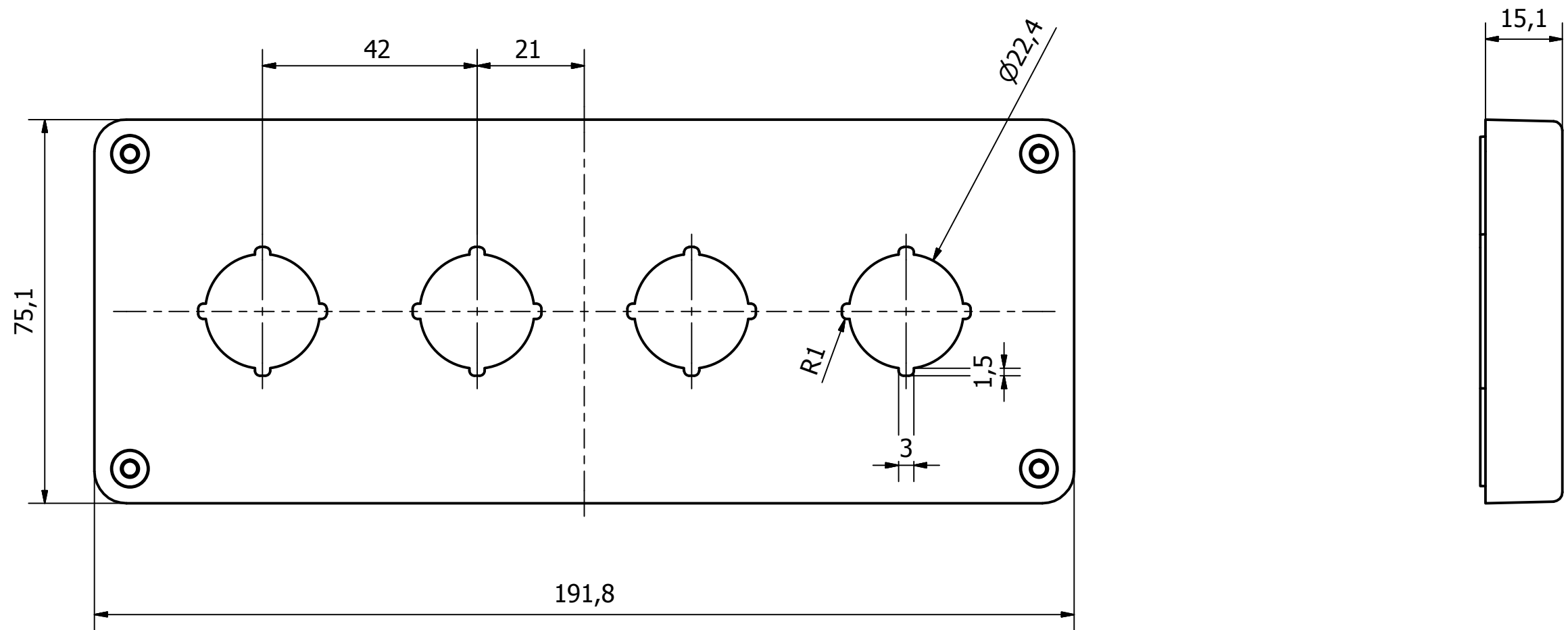



PARTS LIST			
ITEM	QTY	PART NAME	Link URL
1	1	ZP190.75.75 - Assemble	https://www.kradex.com.pl/products/1072/ZP190_75_75.pdf
2	1	Gland M16	https://www.kradex.com.pl/products/1102/D%C5%82awnica.pdf
3	1	Gasket	https://www.kradex.com.pl/product/akcesoria/uszczelka?lang=pl

TITLE		ZEB190.75.75-4		PART	Assemble	MATERIAL	
Design by:	Kruhlianytsia O.		Sig.			Desing Date:	2023-03-27
Approved by:	Drzazgowski M.		Sig.			Approved Data	2023-06-14
		All rights reserved, Copyright Kradex 2023			FORMAT		A3
		SCALE	1 : 1,5	UNIT	mm	PROJECTION	



TITLE		ZEB190.75.75-4		PART	Base	MATERIAL	ABS
Design by:	Kruhlianytsia O.	Sig.		Desing Date:	2023-03-27		
Approved by:	Drzazgowski M.	Sig.		Approved Data	2023-06-14		
		All rights reserved, Copyright Kradex 2023				FORMAT	A3
		SCALE	1 : 1	UNIT	mm	PROJECTION	



TITLE		ZEB190.75.75-4		PART	Cover	MATERIAL	ABS
Design by:	Kruhlianytsia O.	Sig.		Desing Date:	2023-03-27		
Approved by:	Drzazgowski M.	Sig.		Approved Date:	2023-06-14		
		All rights reserved, Copyright Kradex 2023				FORMAT	A3
		SCALE	1 : 1	UNIT	mm	PROJECTION	