

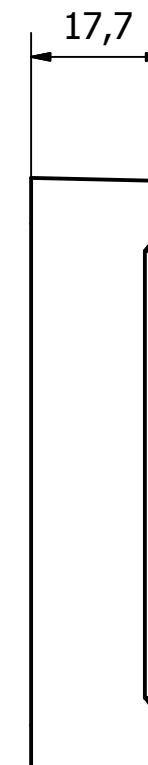
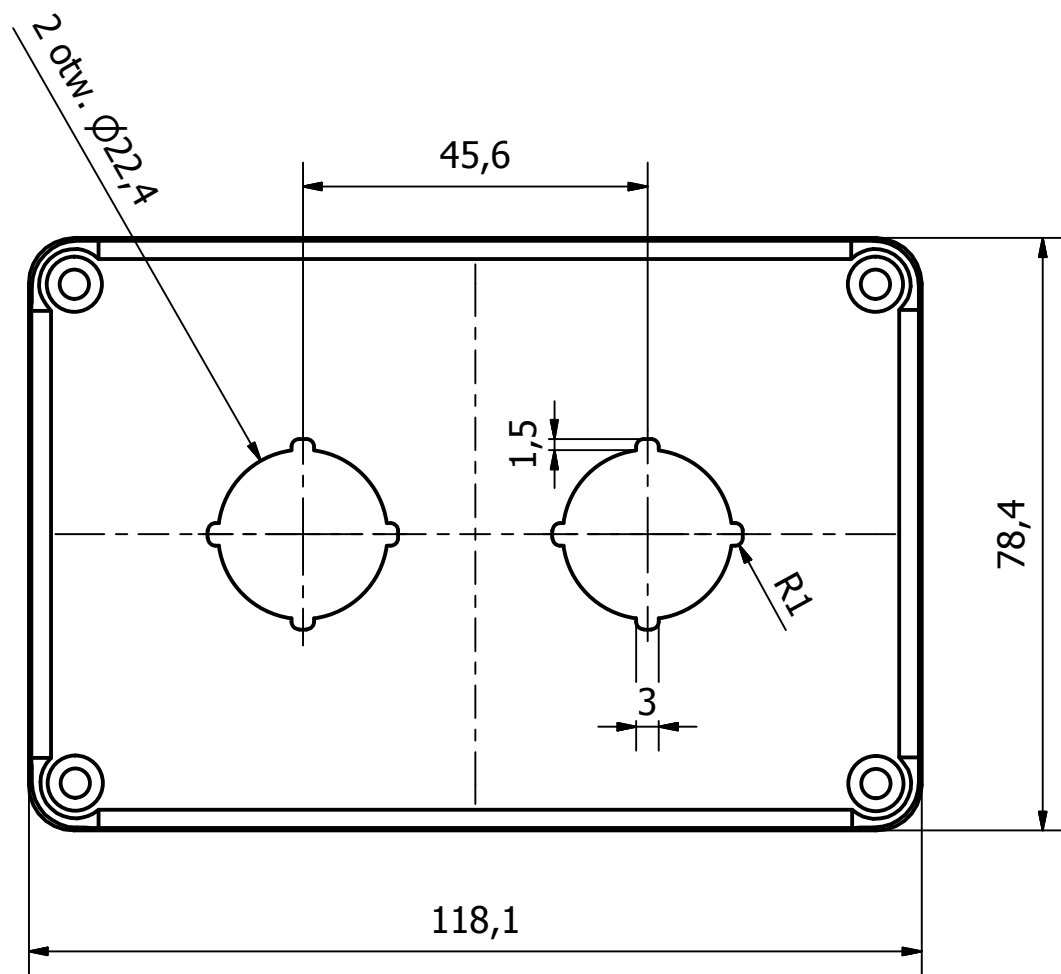


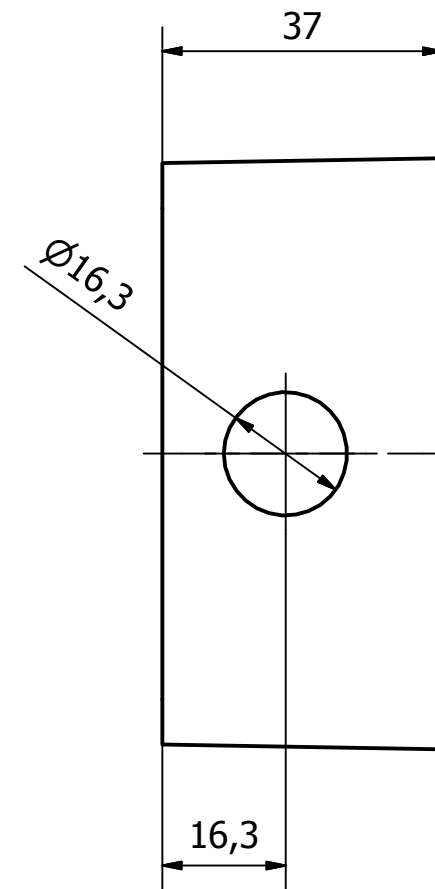
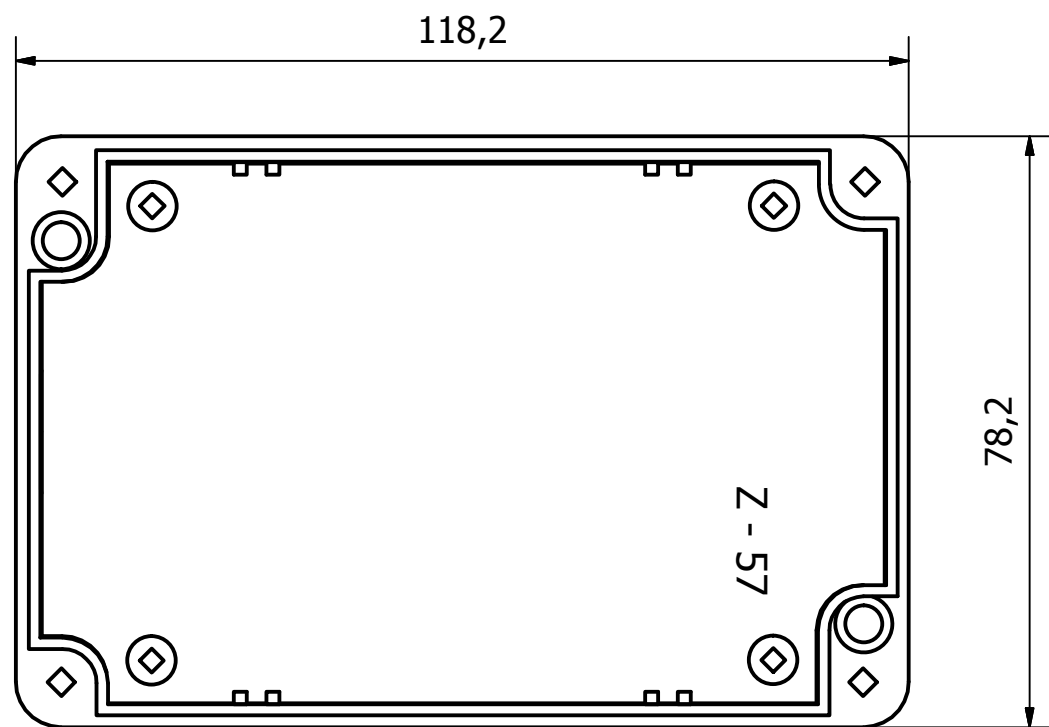



PARTS LIST			
ITEM	QTY	PART NAME	Link URL
1	1	Z57 - Assemble	https://www.kradex.com.pl/products/900/Z57.pdf
2	2	Schneider XB5AA42	https://www.se.com/pl/pl/product/XB5AA42/harmony-xb5-przycisk-p%C5%82aski-czerwony-plastikowy/
3	1	Gland M16	https://www.kradex.com.pl/products/1102/D%C5%82awnica.pdf
4	1	Gasket	https://www.kradex.com.pl/product/akcesoria/uszczelka?lang=pl

TITLE		ZEB118.78.55-2 CB	PART	Assemble	MATERIAL
Design by:	Kruhlianytsia O.	Sig.	Desing Date: 2023-03-22		
Approved by:	Drzazgowski M.	Sig.	Approved Data 2023-06-14		
		All rights reserved, Copyright Kradex 2023		FORMAT A3	
		SCALE 1 : 1	UNIT mm	PROJECTION 	SHEET 1/3



TITLE		ZEB118.78.55-2 CB		PART	Cover	MATERIAL	ABS
Design by:	Kruhlianytsia O.	Sig.		Desing Date:	2023-03-22		
Approved by:	Drzazgowski M.	Sig.		Approved Date:	2023-06-14		
		All rights reserved, Copyright Kradex 2023				FORMAT	A3
		SCALE	1 : 1	UNIT	mm	PROJECTION	



TITLE		ZEB118.78.55-2 CB		PART	Base	MATERIAL	ABS
Design by:	Kruhlianytsia O.	Sig.		Desing Date:	2023-03-22		
Approved by:	Drzazgowski M.	Sig.		Approved Date:	2023-06-14		
		All rights reserved, Copyright Kradex 2023				FORMAT	A3
		SCALE	1 : 1	UNIT	mm	PROJECTION	