

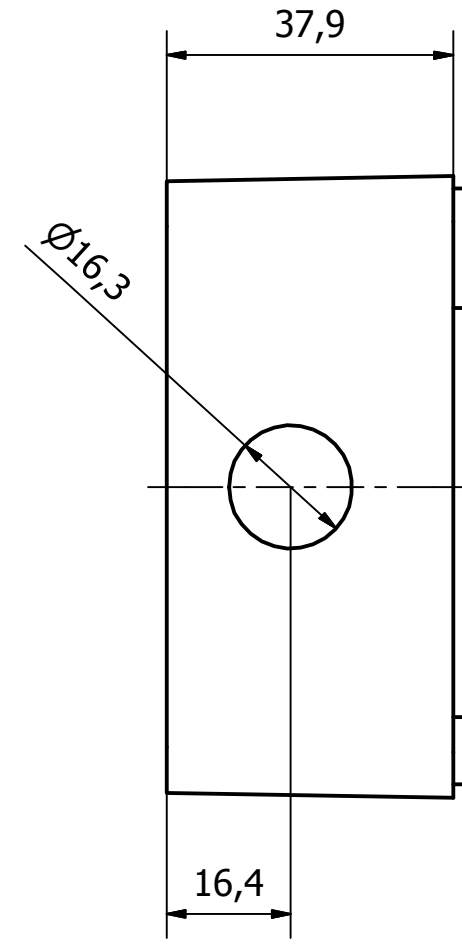
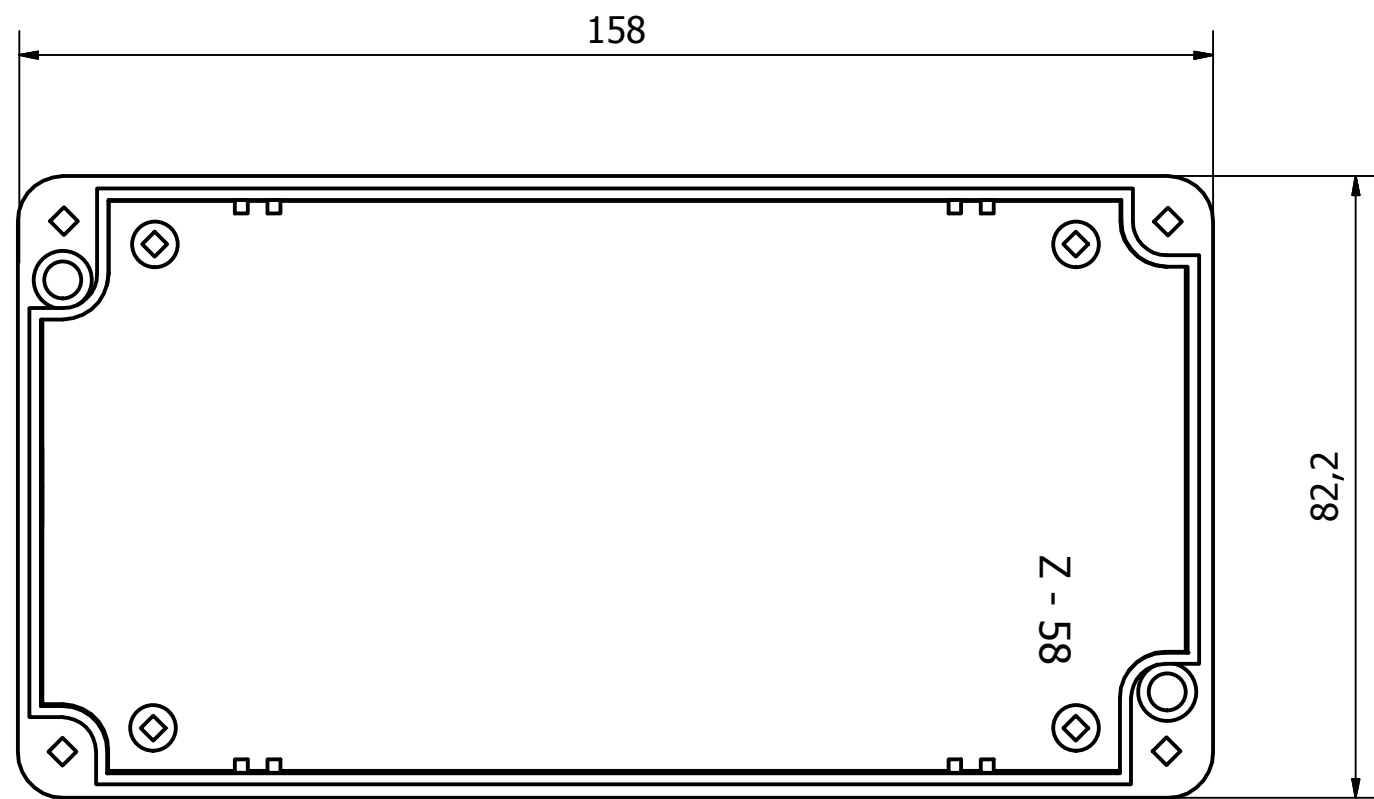


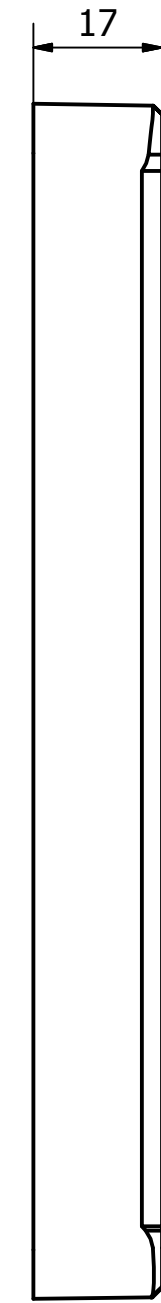
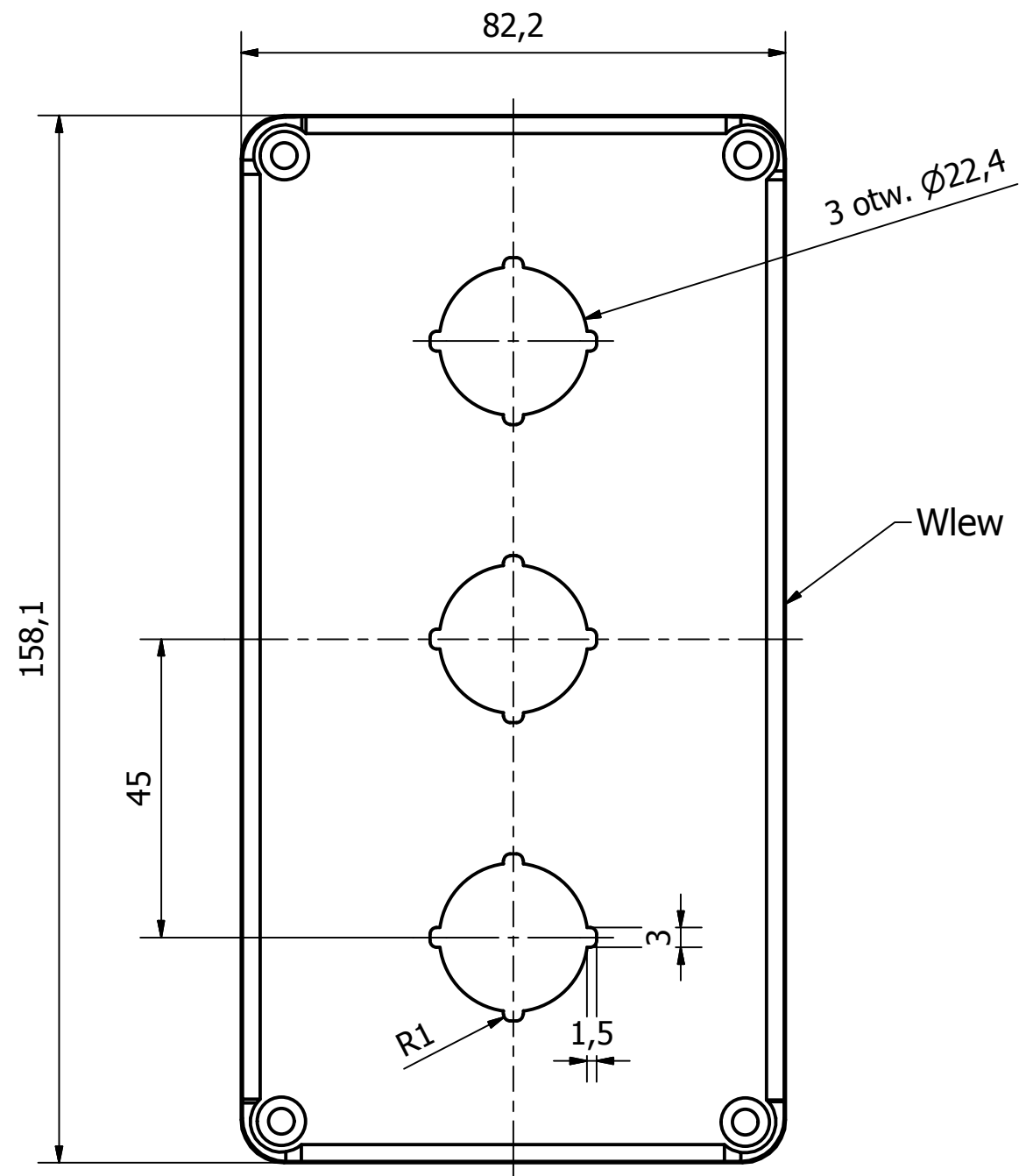



PARTS LIST			
ITEM	QTY	PART NAME	Link URL
1	1	Z58 - Assemble	<a href="https://www.kradex.com.pl/products/901/Z58.pdf">https://www.kradex.com.pl/products/901/Z58.pdf</a>
2	1	Gland M16	<a href="https://www.kradex.com.pl/products/1102/D%C5%82awnica.pdf">https://www.kradex.com.pl/products/1102/D%C5%82awnica.pdf</a>
3	1	Gasket	<a href="https://www.kradex.com.pl/product/akcesoria/uszczelka?lang=pl">https://www.kradex.com.pl/product/akcesoria/uszczelka?lang=pl</a>

TITLE		ZEB158.82.55-3		PART	Assemble	MATERIAL	
Design by:	Kruhlianytsia O.		Sig.			Desing Date:	2023-03-24
Approved by:	Drzazgowski M.		Sig.			Approved Date:	2023-06-14
		All rights reserved, Copyright Kradex 2023			FORMAT		A3
		SCALE	1 : 1,5	UNIT	mm	PROJECTION	



TITLE		ZEB158.82.55-3		PART	Base	MATERIAL	ABS
Design by:	Kruhlianytsia O.	Sig.		Desing Date:	2023-03-24		
Approved by:	Drzazgowski M.	Sig.		Approved Data	2023-06-14		
		All rights reserved, Copyright Kradex 2023				FORMAT	A3
		SCALE	1 : 1	UNIT	mm	PROJECTION	



TITLE		ZEB158.82.55-3		PART	Cover	MATERIAL	ABS
Design by:	Kruhlianytsia O.	Sig.		Desing Date:	2023-03-24		
Approved by:	Drzazgowski M.	Sig.		Approved Date:	2023-06-14		
		All rights reserved, Copyright Kradex 2023				FORMAT	A3
		SCALE	1 : 1	UNIT	mm	PROJECTION	