

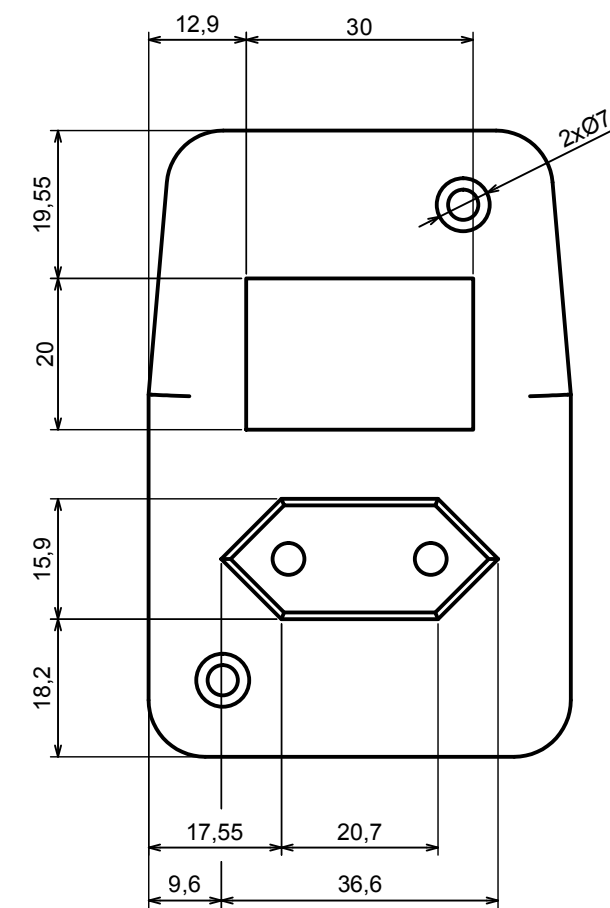
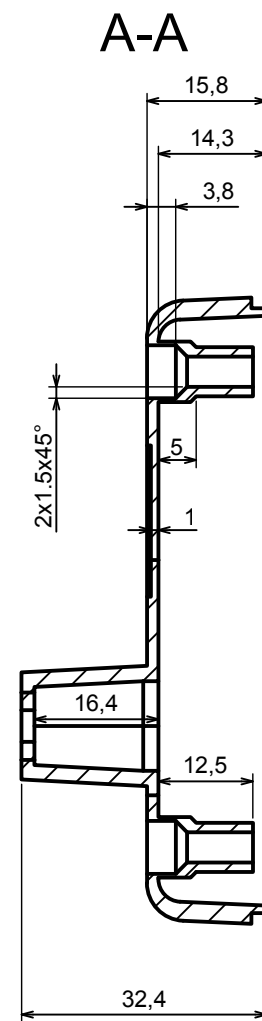
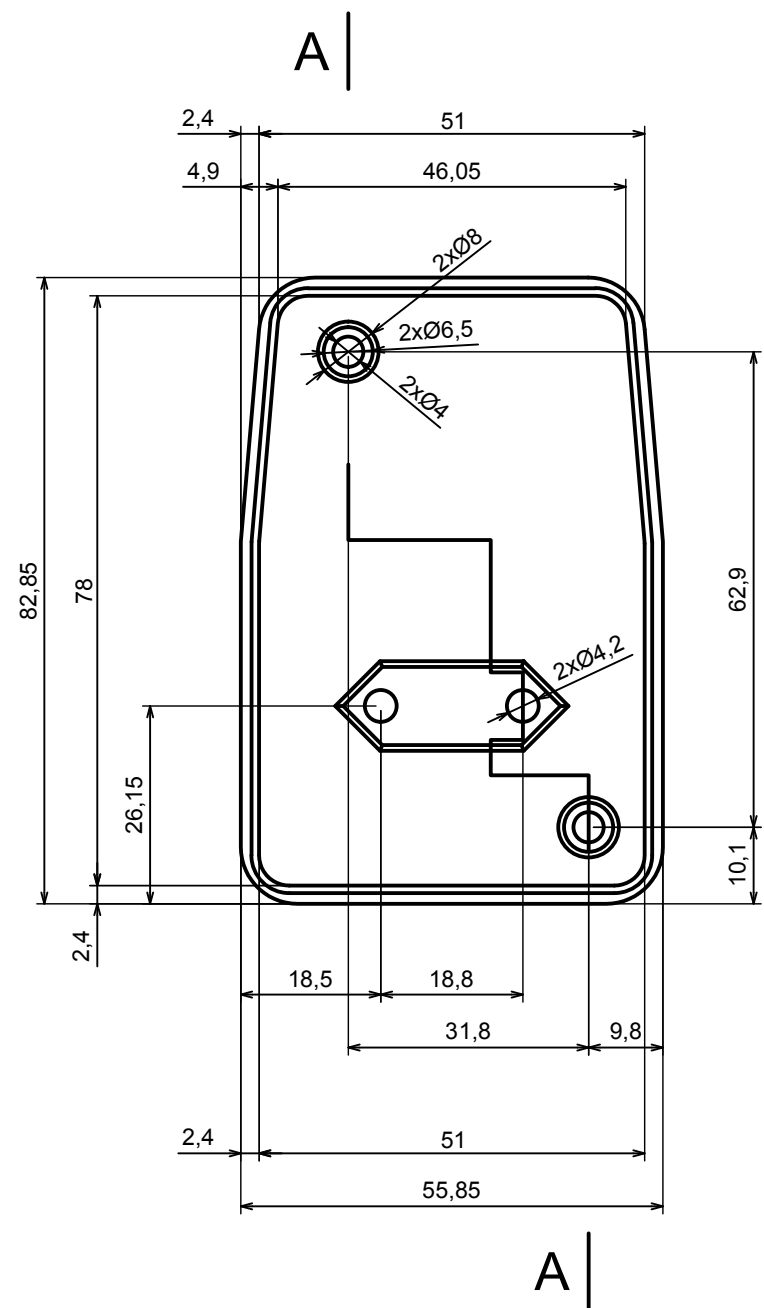
All rights reserved, Copyright Kradox 2017

Product model Enclosure Z42 - Assembly

Format: A3 Material: PS, ABS

Scale 1:1 Tolerance: +/- 1





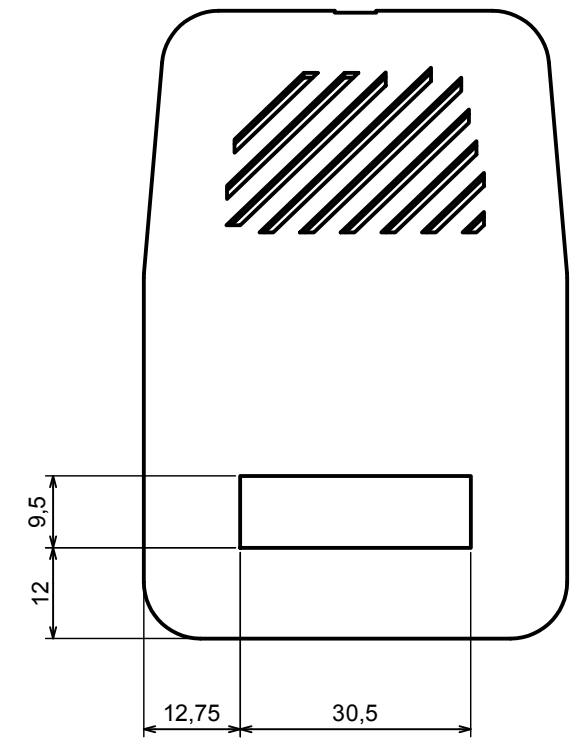
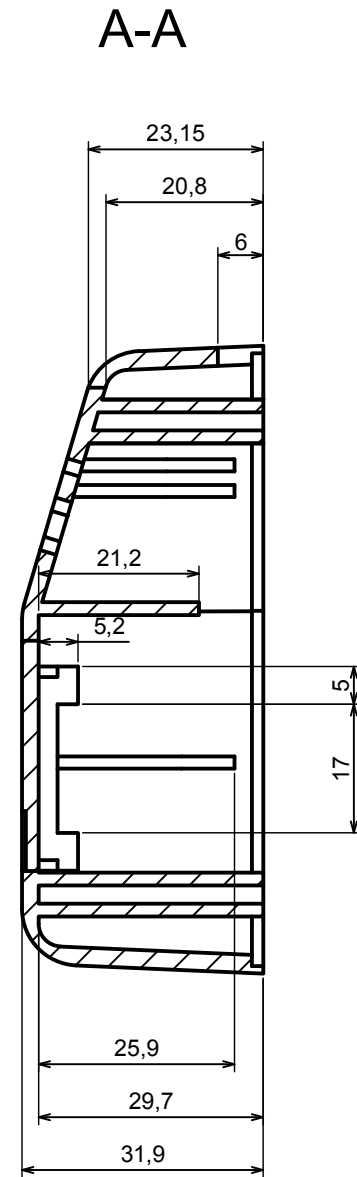
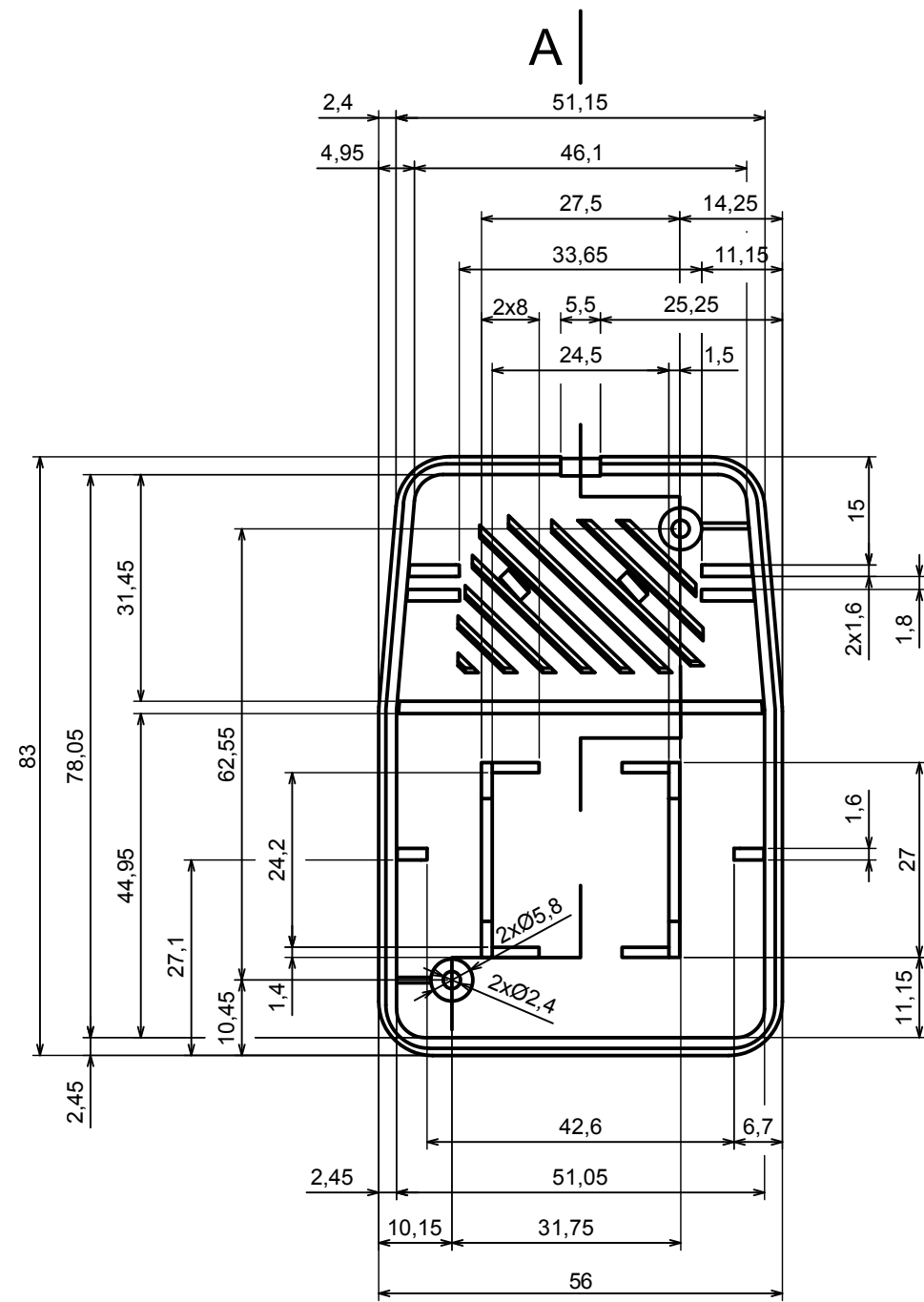
All rights reserved, Copyright Kradox 2017

Product model: Enclosure Z42 - Base

Format: A3 Material: PS, ABS

Scale 1:1 Tolerance: +/- 1





A |

All rights reserved, Copyright Kradox 2017

Product model Enclosure Z42 - Cover

Format: A3 Material: PS, ABS

Scale 1:1 Tolerance: +/- 1

